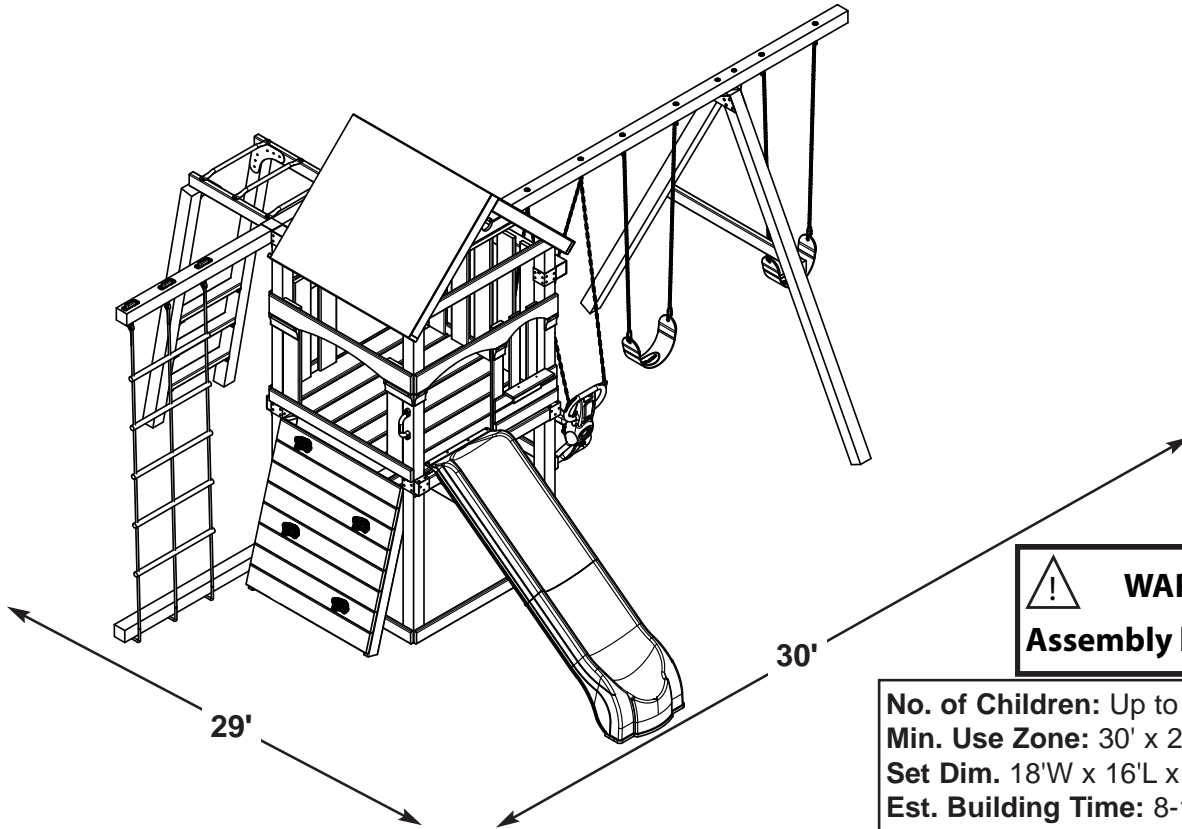




PB 8320 / PB 8321

ASSEMBLY INSTRUCTIONS



WARNING:
Assembly by an adult.

No. of Children: Up to 10
Min. Use Zone: 30' x 29'
Set Dim. 18'W x 16'L x 10'H
Est. Building Time: 8-10 hr.

PB 8320: 4" x 4" LUMBER SOLD SEPARATELY
PB 8321: ALL LUMBER INCLUDED IN KIT

IMPORTANT!!
PLEASE READ BEFORE BEGINNING ASSEMBLY!!
Please make sure all lumber, hardware and accessory parts are accounted for. If you are missing anything, please **DO NOT RETURN** to the store where purchased. Please call our Customer Service Department at the number below.

To register your product visit:
<http://www.swing-n-slide.com>
Other benefits include information on product warranties, assembly plan updates, joining our mailing list for new products and promotions and providing feedback on products.

Swing•N•Slide • 1212 Barberry Drive • Janesville, Wisconsin 53545
Visit our web site at: www.swing-n-slide.com or call us at

1-800-888-1232

Observing the following statements and warnings reduces the likelihood of serious or fatal injury

Installation Safety – Have You:

- Consulted the assembly instructions supplied with your particular model?
- Noted this accessory is to be used only on Swing•N•Slide approved designs? (Do not alter its design or add/remove components, this accessory is intended for wooden playsets only, do not install on metal frame playsets).
- Made sure all hardware is tightened securely? (Supplied bolt covers must also be fastened securely.)
- Using a hacksaw, cut off all protruding threaded ends of bolts and other fasteners and remove any sharp edges with a metal file as needed, and coated fastener ends with lead free paint?
- Placed the equipment on level ground, not less than six feet (1.8 meters) from any structure or obstruction such as a fence, garage, house, overhanging branches, laundry lines, or electrical wires?
- Made sure home playground equipment is not installed over concrete, asphalt, packed earth or any other hard surface? (A fall onto a hard surface can result in serious injury to the equipment user.)
- Verified that suspended climbing ropes, chain, or cable are securely anchored at both ends and cannot be looped back upon itself?
- Consulted in assembly instructions of your particular model for minimum use zones?
- Used a water sealant on your play set to protect the wood and prevent cracking and warping? (Apply water sealant directly after assembly is complete. If you live in a coastal area, it is advisable to apply a clear coat finish to all metal parts to discourage rust).
- Followed all anchoring and shock absorbing surfacing requirements on the back of this sheet as they apply?
- Made sure not to allow children to use equipment until it is properly installed?
- Made sure to adjust all swings so there is a minimum 8" clearance between the swing and the ground surface?
- If project requires more than one day to complete, made certain to anchor the tower as soon as it is constructed?
Do not leave the tower unanchored overnight.

Operating Safety – Have You:

- Determined that on-site adult supervision is provided for children of all ages?
- Warned children the following before allowing them to use the equipment?
 - Not to walk close to, in front of, behind or between moving items.
 - Not to twist swing or any other accessory chains or ropes or loop them over the top support bar since this will reduce the strength of chain or rope.
 - Not to stand on swing seats.
 - Not to swing empty seats or other accessories.
 - Not to slide down swing chains.
 - Be sure to sit in the center of the swing seat and other accessories with full weight on the seat.
 - Not to attach items to the playground equipment that are not specifically designed for use with the equipment such as but not limited to, jump ropes, clotheslines, pet leashes, cables and chain. They may cause a strangulation hazard.
 - Not to climb or walk on the top of swing beams, railings or roof.
 - Not to use equipment in a manner other than intended.
 - Not to get off equipment while it is in motion.
 - Not to climb on the equipment when it is wet.
 - Be sure to go down slides feet first.
- Determined that only one child per planned occupant seat should be allowed on this set at one time.
- Determined children must be dressed appropriately for play. Avoid hooded jackets, bicycle or other sports helmets, clothing with draw strings and loose fitting clothes which could become entangled or snagged on equipment.
- Determined that suspended climbing ropes, chain, or cable are securely anchored at both ends and cannot be looped back upon itself.
- Made certain the slide is placed so that it is not in direct sunlight.

Safety Maintenance – Follow these preventive maintenance instructions at the intervals required:

- Use of weed trimmers too close to board surfaces will cause damage to the wood and compromise protection against rot and insect infestation.
- To prevent the deterioration of materials, remove plastic swing seats and other plastic accessories when outdoors temp dips down to or below 32° F and take indoors. Reinstall these plastic elements at the beginning of each play season.
- At the beginning of each play season check metal parts for rust. If found, sand and repaint using a non lead-based paint meeting the requirements of 16 CFR 1303 or SOR/2005-109.
- At the beginning of each play season and once a month during each play season, check all moving parts for wear, rust or other deterioration. Replace as needed. If any of these conditions exist, call 1-800-888-1232 to order replacement accessories.
- At the beginning of each play season and once a month during each play season lubricate metallic moving parts.
- At the beginning of each play season and twice a month during each play season, check all protective coverings on bolts, pipes, edges, and corners. Replace if they are loose, cracked, or missing.
- At the beginning of each play season and twice a month during each play season, rake and check depth of loose fill protective surfacing material to prevent compaction and maintain appropriate depth. Replace as necessary.
- At the beginning of each play season and twice a month during each play season tighten all hardware.
- At the beginning of each play season and twice a month during each play season, check all wood members for deterioration and splinters. Sand down splinters and replace deteriorating wood members.

Disposal Instructions

When the equipment is taken out of service, it must be disassembled and disposed of in such a way that no unreasonable hazards will exist at the time the set is discarded.

**Important! Additional Safety Instructions for all Swing-N-Slide Playground Equipment.
Save this instruction sheet in the event the manufacturer needs to be contacted.**

This product is intended for single family home/residential use only and not intended for use in any public setting. Placement in any public setting constitutes a misuse of this product.

IMPORTANT!

ADDITIONAL REQUIRED SAFETY INSTALLATION INSTRUCTIONS

According to ASTM requirements, all kits must be anchored to the ground and, if the unit has a climbing rope, the rope end must be anchored to the ground. If soil conditions permit stakes to be pulled out easily, cementing into ground is necessary.

- **To anchor the unit to the ground,** Follow the instructions included in this plan for applying Anchor-It devices to your unit, or use 2" x 4" x 18" (45mm x 95mm x 457mm) pressure-treated stakes. Pound stakes into ground at least 12" (305mm) at all inside corners of the posts (including A-frame legs and climbing unit posts). Attach with four (4) 2-1/2" galvanized screws per stake into each tower and/or A-frame upright. NOTE: Leave the soil around anchors as intact as possible. Do not excavate more soil than is necessary to place anchors.
- **If the unit has a climbing rope,** securely anchor the rope at both ends.
- **Once the unit is completely assembled and before children are allowed to play on it, proper shock-absorbing surfacing material must be installed.** This may be accomplished by using loose-fill materials at a sufficient depth. The Consumer Product Safety Commission "Handbook for Public Playground Safety" lists the following materials and required depths that are sufficient for home/residential application. Supplemental information may be found in ASTM F1292. For fall height protection up to 9 ft. (2.742m) [recommended for Swing-N-Slide kits]:

<u>LOOSE FILL MATERIAL</u>	<u>REQUIRED (UNCOMPRESSED) DEPTH¹ in. (mm)</u>
Wood Mulch	9" (229mm)
Double Shredded Bark Mulch	9" (229mm)
Uniform Wood Chips	12" (305mm)

¹These depths were derived from the CPSC Handbook. Swing-N-Slide has not done independent tests to determine these required depths.

When properly installed, shock absorbing material will completely cover the horizontal baseboards on climbing units. This protective surfacing must extend a **minimum** of 6 ft. (1.828m) in all directions from the perimeter of the equipment or from the outermost edges of any component. For example, a slide extending beyond the platform must have protective surfacing at least 6 ft. (1.828m) out from both sides as well as the end. For swings, the protective surface must extend **at least 14 ft. (6m)** out from **both** the back and front of the swing when the swing is in its rest position.

For further information on playground safety, the Consumer Product Safety Commission (CPSC) publishes the Outdoor Home Playground Safety Handbook which can be downloaded for free from www.cpsc.gov. An additional resource is the American Society of Testing and Materials (ASTM) Standard Consumer Safety Performance Specification for Home Playground Equipment (ASTM F1148) which can be purchased and downloaded from www.astm.org.

Swing-N-Slide® MANUFACTURERS LIMITED WARRANTY

Swing-N-Slide® takes great pride in the quality and durability of our products. Our Manufacturer's Limited Warranty provides confidence and demonstrates our commitment to providing quality residential playground products.

MANUFACTURER'S LIFETIME LIMITED WARRANTY

Swing-N-Slide® warrants its thermoformed slides and climbing mountains to be free from defects in workmanship and materials, under normal use and conditions, for the lifetime of the product.

MANUFACTURER'S 5 YEAR LIMITED WARRANTY

Swing-N-Slide® warrants its Custom Ready-to-Build Play Set kits and accessories to be free from defects in workmanship and materials, under normal use and conditions, for a period of 5 years.

MANUFACTURER'S 5 YEAR LIMITED WARRANTY

Swing-N-Slide® warrants its No-Cut and Wood Complete Ready-to-Assemble Play Set kits against wood rot and termite damage, and to be free from defects in workmanship and materials, under normal use and conditions, for a period of 5 years for structural wood components.

Cosmetic defects that do not affect the structural integrity of the product, or natural defects of wood such as warping, splitting, checking, twisting, shrinkage, swelling or any other physical properties of wood that do not present a safety hazard, are not covered by this warranty.

MANUFACTURER'S ONE YEAR WARRANTY

Swing-N-Slide® warrants its canopy roofs and/or tarps, playhouses and Timber GLOVE lumber wrap to be free from defects in workmanship and materials, under normal use and conditions, for a period of one year.

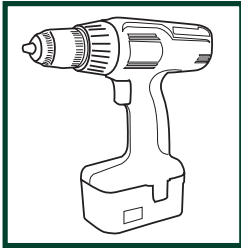
Swing-N-Slide® will repair, or at its discretion, replace any part within the stated warranty period which is defective in workmanship or materials. This decision is subject to verification of the defect upon delivery of the defective part to Swing-N-Slide® at 1212 Barberry Drive, Janesville, Wisconsin, 53545. Any part(s) returned to Swing-N-Slide® must have prior approved Return Authorization Number and proof of purchase, including the date of purchase. This warranty is valid only if the product is used for the purpose for which it was designed and installed at a residential, single family dwelling. This warranty is void if the product is put to commercial or institutional use. This warranty does not cover (a) products which have been damaged by acts of Nature, negligence, misuse, or accident, or which have been modified or repaired by unauthorized persons; (b) the cost of labor; or the cost of shipping the product, any part, or any replacement product or part.

Swing-N-Slide® DISCLAIMS ALL OTHER REPRESENTATIONS AND WARRANTIES OF ANY KIND, EXPRESS, IMPLIED, STATUTORY OR OTHERWISE, INCLUDING THE IMPLIED WARRANTIES OF MERCHANTABILITY AND FITNESS FOR A PARTICULAR PURPOSE. Swing-N-Slide® WILL NOT BE LIABLE FOR ANY INCIDENTAL OR CONSEQUENTIAL DAMAGES. This warranty is non-transferable and does not extend to the owners of the product subsequent to the original purchaser. Some states do not allow limitations on implied warranties or exclusion of incidental or consequential damages, so these restrictions may not be applicable to you. This warranty gives you specific legal rights. You may also have other rights, which vary from state to state.

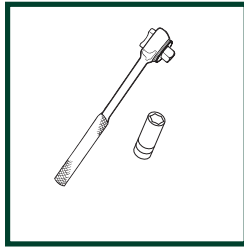
This warranty also does not apply to:

- Structures not erected, maintained or inspected in conformance with **Swing-N-Slide®** installation plans
- Structures that have had parts added or substituted not in conformance with **Swing-N-Slide®** installation plans
- Parts that have been modified, altered or misused
- Parts that have not been used as designed or intended
- Damage due to acts of Nature, vandalism, abnormal use or abuse as determined by **Swing-N-Slide®**

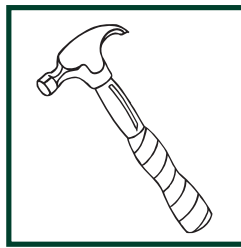
TOOLS REQUIRED



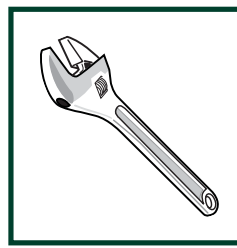
ELECTRIC DRILL



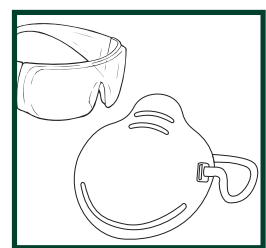
1/2" & 9/16" SOCKET & WRENCH



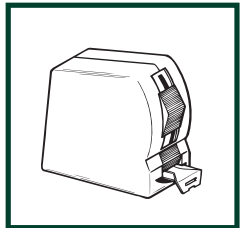
HAMMER



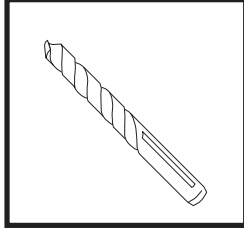
WRENCH



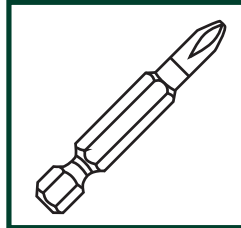
SAFETY GLASSES & DUST MASK



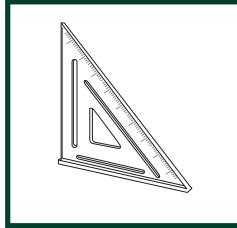
TAPE MEASURE



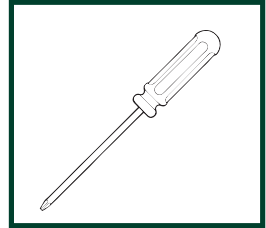
1/8" DRILL BIT



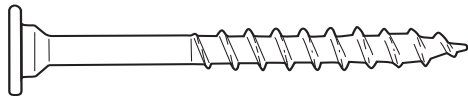
PHILLIPS BIT



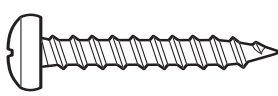
CARPENTER'S SQUARE



SCREWDRIVER



(68) 2" Lag Screw



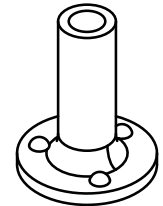
(2) 1-3/4" Pan Head screws



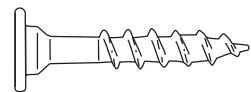
**(12) 5/16
Loc nut**



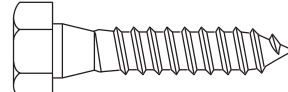
**(3) 3/8
Loc Nut**



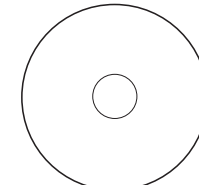
(8) 1/4" Weld Nut



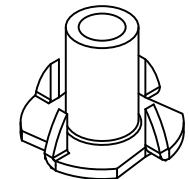
(56) 1-1/4" Lag Screw



(4) 1-1/2" Lag Bolt



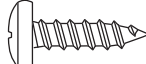
(6) 3/16" Tarp Washer



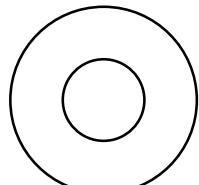
(8) T- nuts



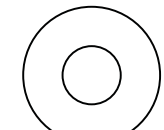
(212) 2-1/2" Wood Screws



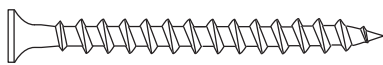
**(6) 3/4" Panhead
Screw**



(3) 3/8" Flat Washers



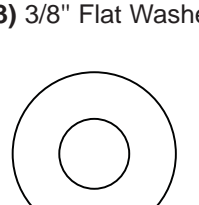
(2) 1/4" Flat Washers



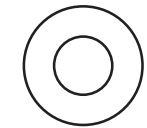
(16) 2" Wood Screw



**(2) 1/2" Panhead
Screw**



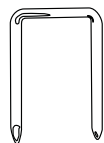
(30) 5/16" Flat Washers



(8) 8mm Washer



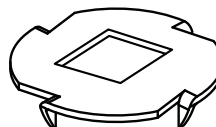
(88) 1-1/2" Wood Screws



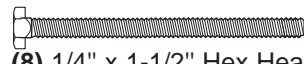
**(6) Fence
Staple**



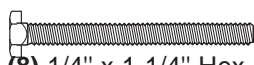
(68) 30mm Wood Screws



**(11) 5/16" Wood Loc Washers
(Not Used)**



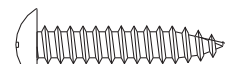
(8) 1/4" x 1-1/2" Hex Head Bolt



(8) 1/4" x 1-1/4" Hex Head Bolt (Not Used)



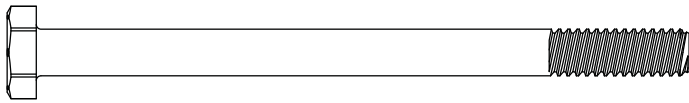
(8) 1/4" Loc-Washer



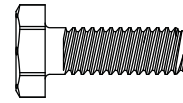
(4) 1" Truss Screw

Note:

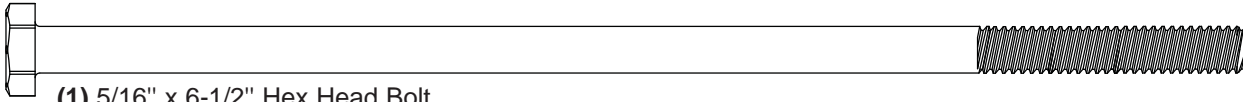
Swing-N-Slide has included all hardware necessary to build multiple versions of this playset. As a result, you may have left over hardware once your project is completely assembled. Please discard all excess items in a safe manner before children are allowed to use this playset.



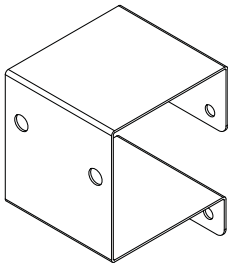
(2) 5/16" x 3-1/2" Hex Head Bolts



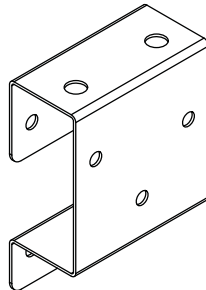
(11) 3/4" Hex Head Bolt



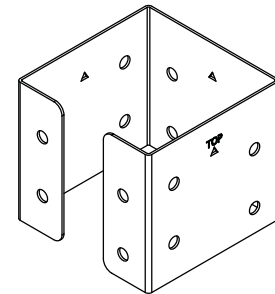
(1) 5/16" x 6-1/2" Hex Head Bolt



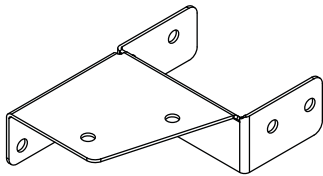
(4) 4" x 4" Shelf-Loc



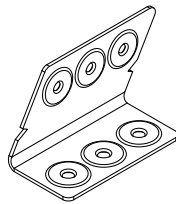
(8) 2" x 4" Shelf-Loc



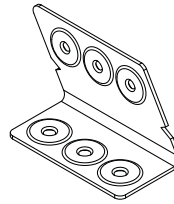
(8) Wrap-Loc



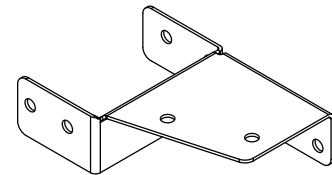
(1) LH Split Beam bracket



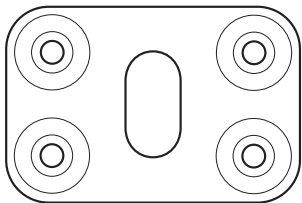
(3) Step Brackets (Left)



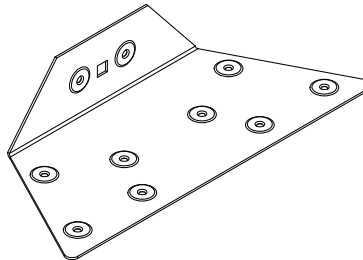
(3) Step Brackets (Right)



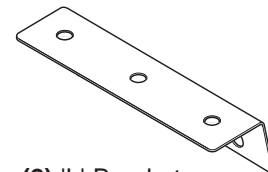
(1) RH Split Beam bracket



(6) Slotted Beam Clamp



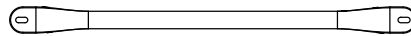
(2) EZ Frame Brackets



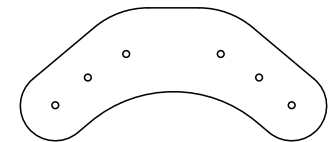
(2) 'L' Bracket



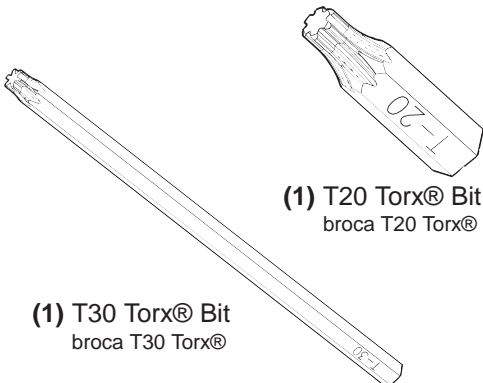
(1) ID Tag



(4) 23-1/4" Monkey Bar

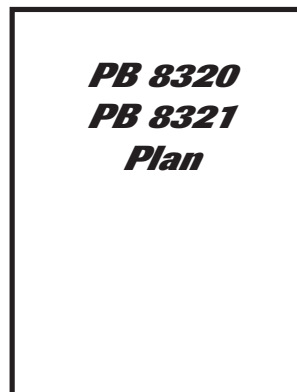


(2) Boomerang Bracket

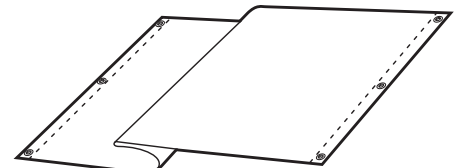


(1) T30 Torx® Bit
broca T30 Torx®

(1) T20 Torx® Bit
broca T20 Torx®

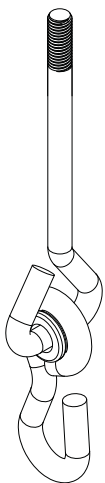


(1) Plan

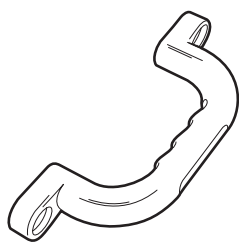


(1) Tarp

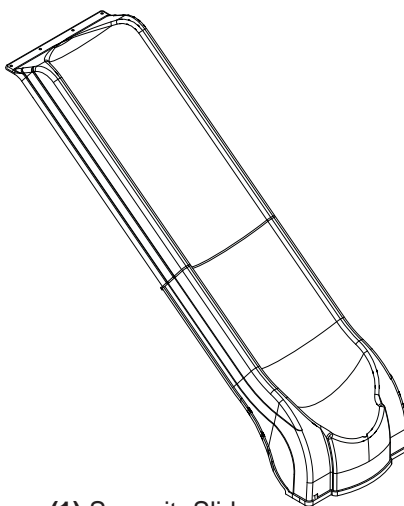
Assembly Plan



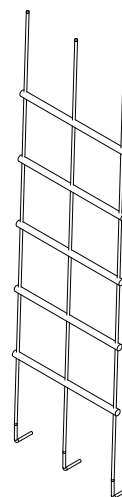
(6) Swing Hangers
3-1/4"



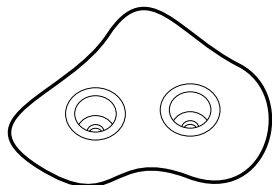
(1) Safety Handle



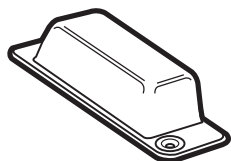
(1) Summit Slide



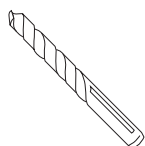
(1) Pirate's Ladder



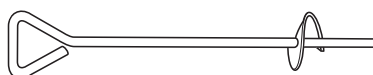
(4) Climbing Rocks



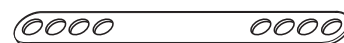
(3) Bolt Cover



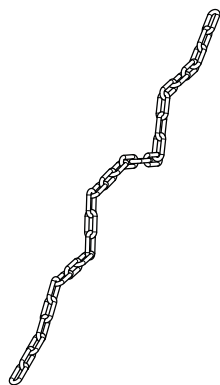
3/8" DRILL BIT (5" Min.)



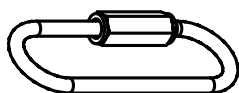
(4) Anchor-It



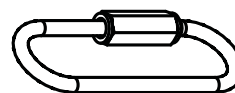
(4) Anchor-It Straps



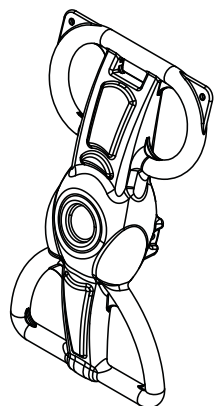
(4) 51" Chain



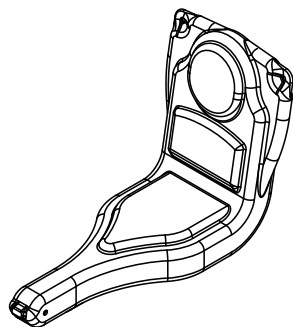
(4) Quick Links



(4) Quick Links

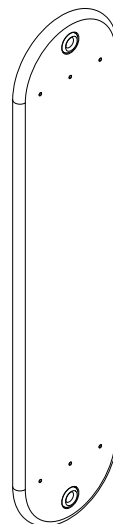


(1) Wind Rider Handle

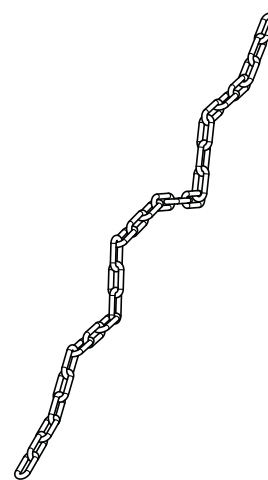


(1) Wind Rider Seat

Wind Rider Swing
weight limit: 115 lbs.



(2) Swing Seat



(4) 58" Dipped Chain

(2) Swing Seat
weight limit: 115 lbs.

Board List



(1) [PF 4354] 4" x 4" x 47-1/2"



(7) [PF 4353] 2" x 4" x 47-1/2"



(2) [PF 4352] 2" x 4" x 45"



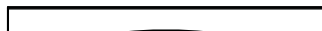
(2) [PF 4284] 2" x 4" x 38-1/2"



(2) [PF 4283] 2" x 4" x 35"



(3) [PF 4282] 2" x 4" x 20-3/8"



(1) [PF 4349] 5/4" x 6" x 47-1/2" CENTER ARCH



(1) [PF 4348] 5/4" x 6" x 47-1/2" OFFSET ARCH



(1) [PF 4347] 5/4" x 6" x 47-1/2" DOUBLE ARCH



(6) [PF 4346] 5/4" x 6" x 47-1/2"



(10) [PF 4345] 5/4" x 6" x 40-1/4"



(5) [PF 4344] 5/4" x 6" x 39-1/2"



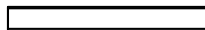
(4) [PF 4343] 5/4" x 6" x 29-7/8"



(1) [PF 4342] 5/4" x 6" x 24" SANDBOX BENCH



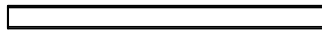
(8) [PF 4341] 5/4" x 4" x 47-1/2"



(1) [PF 4340] 5/4" x 4" x 30"



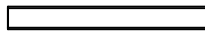
(2) [PF 4339] 5/4" x 4" x 20-3/4"



(2) [PF 4281] 5/4" x 4" x 47-1/2"



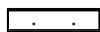
(1) [PF 4280] 5/4" x 3" x 43-3/8"



(2) [PF 4331] 1" x 4" x 30"



(2) [PF 4334] 1" x 4" x 20-3/4"



(1) [PF 4332] 1" x 4" x 13-3/4"



(1) [PF 4351] 1-3/8" x 1-3/8" x 40-1/4"



(2) [PF 4350] 2" x 2" x 24"



(1) [PF 4338] 1-1/2" x 1-1/2" x 17" SLIDE STAKE



(3) [PF 4337] 5/4" x 4" x 9" CHAMFER



(5) [PF 4336] 5/4" x 4" x 3-1/2" CHAMFER



(2) [PF 4335] 1" x 6" x 12" GABLE TOP



(2) [PF 4333] 1" x 6" x 18-3/4" GABLE BOTTOM

NOMINAL MATERIAL SIZE

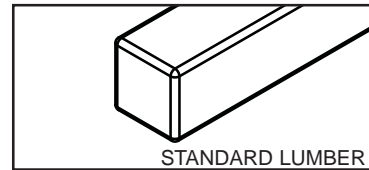
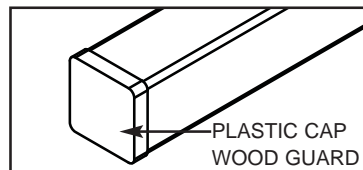
LISTED SIZE		TRUE SIZE	
English(*)	Metric(Cm)	English(*)	Metric(Cm)
1x4	2.5x10.2	5/8x3-3/8	1.59x8.57
1x5	2.5x12.7	5/8x4-1/2	1.59x11.43
5/4x4	3.2x10.2	1x3-1/2	2.5x8.89
5/4x6	3.2x15.3	1x5-1/2	2.5x14
2x2	5x5	1-1/2x1-1/2	3.8x3.8
2x3	5x7.6	1-1/2x2-1/2	3.8x6.4
2x4	5x10	1-1/2x3-1/2	3.8x9
2x6	5x15.3	1-1/2x5-1/2	3.8x14
3x3	7.6x7.6	3x3	7.6x7.6
4x4	10x10	3-1/2x3-1/2	9x9

(*) Estimated Sizing Due to Cutting Process

PB 8320 ONLY: 4" x 4" LUMBER SOLD SEPARATELY

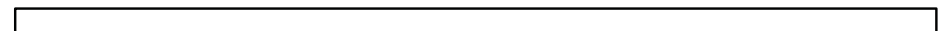
**PLEASE STAIN TO MATCH UNIT
WOOD GUARD LUMBER IS OPTIONAL**

PB 8321 ONLY: WOOD GUARD LUMBER INCLUDED WITH KIT

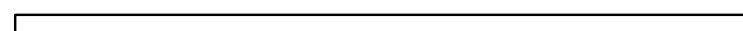


LUMBER COMPARISON:

Plastic Encapsulated Wood Guard Lumber has a plastic cap at each end of the 4" x 4" board. Figures in plan may not show this detail.



(1) 4" x 4" x 120" SWING BEAM



(10) 4" x 4" x 96"

How to select the correct fastener

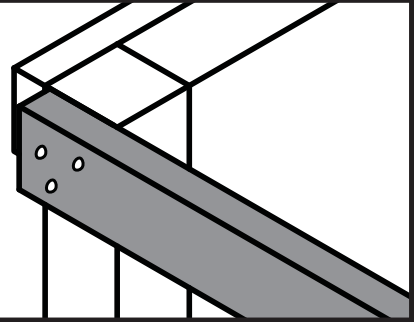
Use these 2 pictorial guides to help select the correct fastener(s) for the lumber attachment you are making. Each diagram will highlight the correct number of fasteners to use, and where to attach them.

5/4" Boards to 4" x 4"



(3) 2-1/2" screws

Apply 2 1/2" screws to the 2"x4" boards when attaching to 4"x4" uprights.

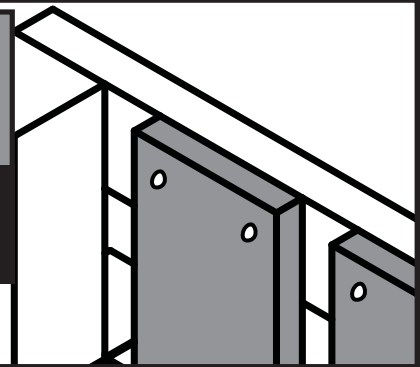


5/4" Boards to 5/4" Boards



(2) 1-1/2" screws

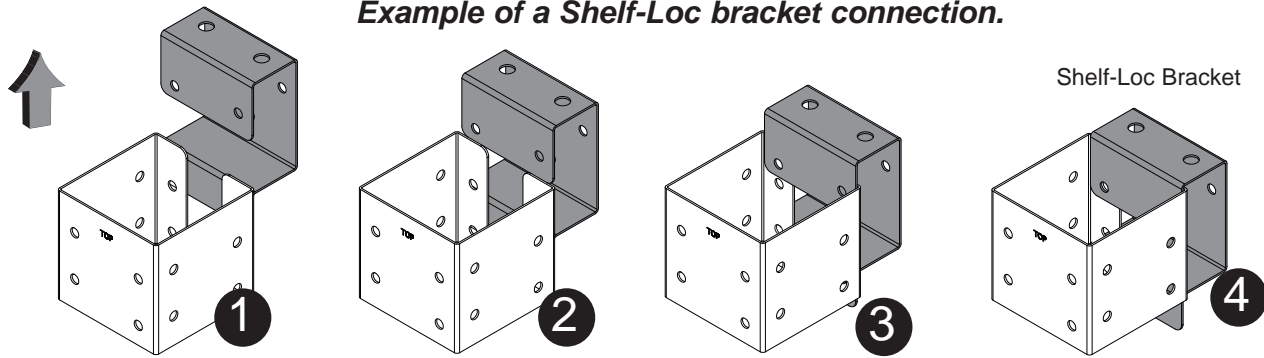
Use 1-1/2" screws when mounting 5/4" boards to 5/4"x4" boards.



NOTE: All hardware to be driven until flush with surface of wood or no deeper that 1/16".

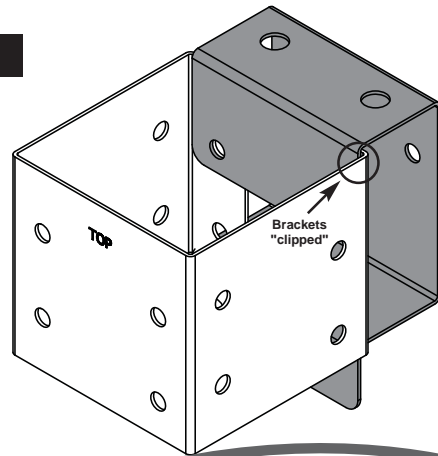
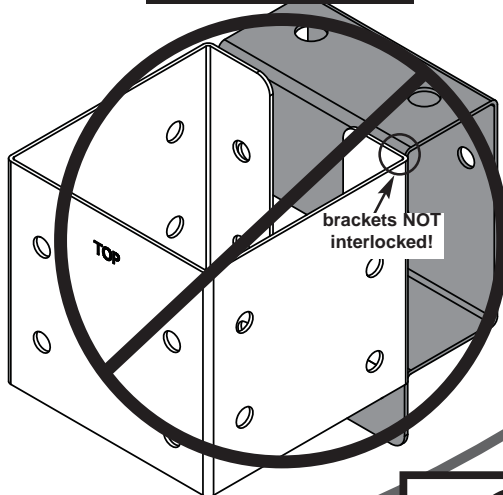
Understanding how the Bracket System Works

Example of a Shelf-Loc bracket connection.



CORRECT!

WRONG!



Example of a Shelf-Loc bracket connection.

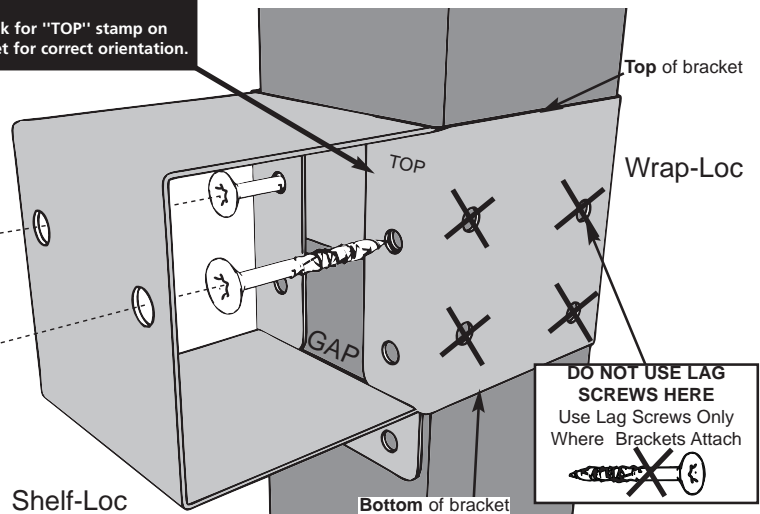


Look for "TOP" stamp on bracket for correct orientation.

Introduction to the Bracket system

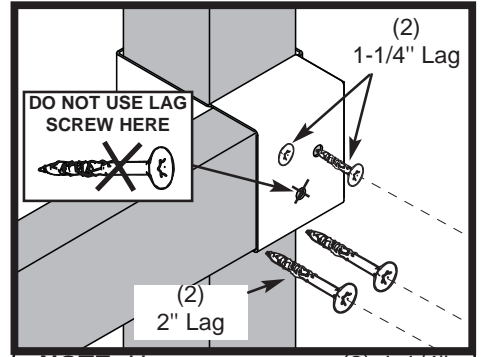
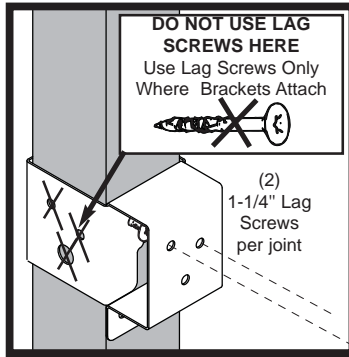
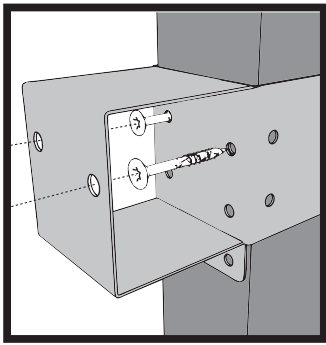
- 1. ALWAYS** Use 2" lag screws on all brackets.
- Brackets "clip" to each other. **NEVER** position in a non-interlocking position.

NOTE: PLACE SCREWS IN BRACKETS ONLY WHERE INSTRUCTED. DO NOT FILL EVERY HOLE IN BRACKET. THIS WILL LEAD TO HARDWARE SHORTAGES.



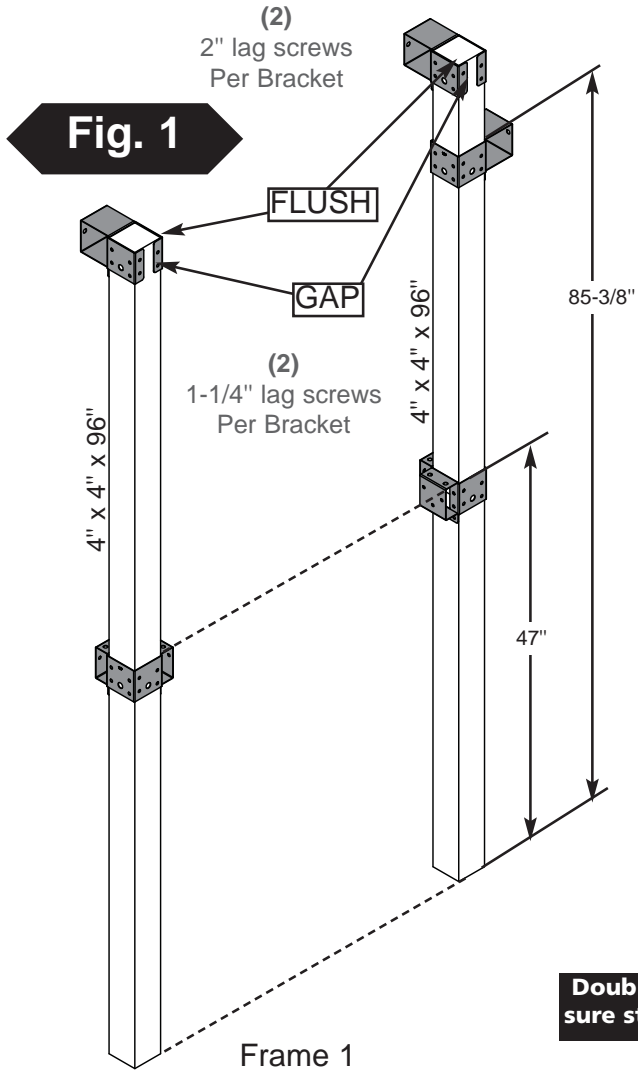
Brackets Clip Together

Assembly Plan



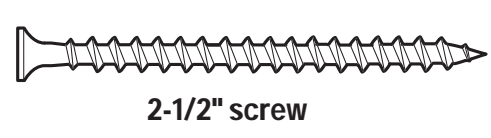
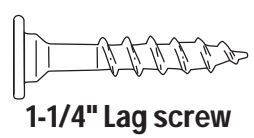
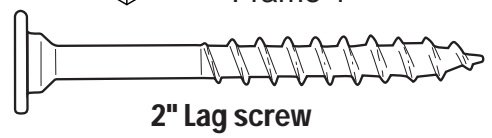
Frame 1 Construction

NOTE: Upper screws are (2) 1-1/4" Lag Screws, Lower screws are (2) 2" Lag Screws.



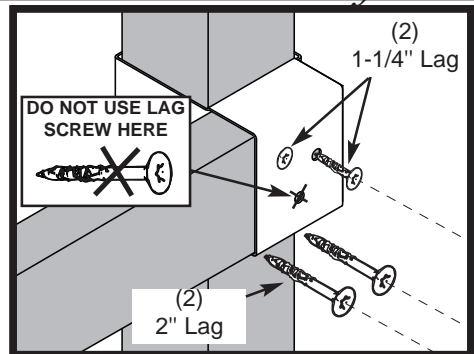
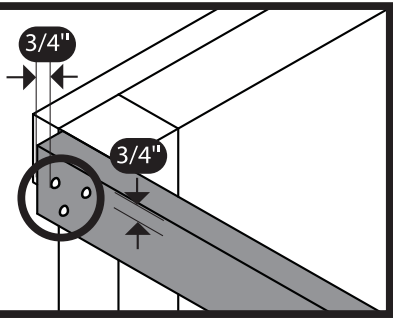
FLIP FRAME OVER

Double check to make sure structure is square



- Frame Construction cont.**
- Using two (2) 4" x 4" x 96" measure and position brackets as shown in **(Fig. 1)**.
 - Attach 5/4" and 2" x 4" boards as shown in **(Fig. 2)**

•WARNING•
 Avoid splitting your
 lumber by offsetting
 your screws at least
 3/4" from edge.



NOTE: Upper screws are (2) 1-1/4" Lag Screws, Lower screws are (2) 2" Lag Screws.

Fig. 3

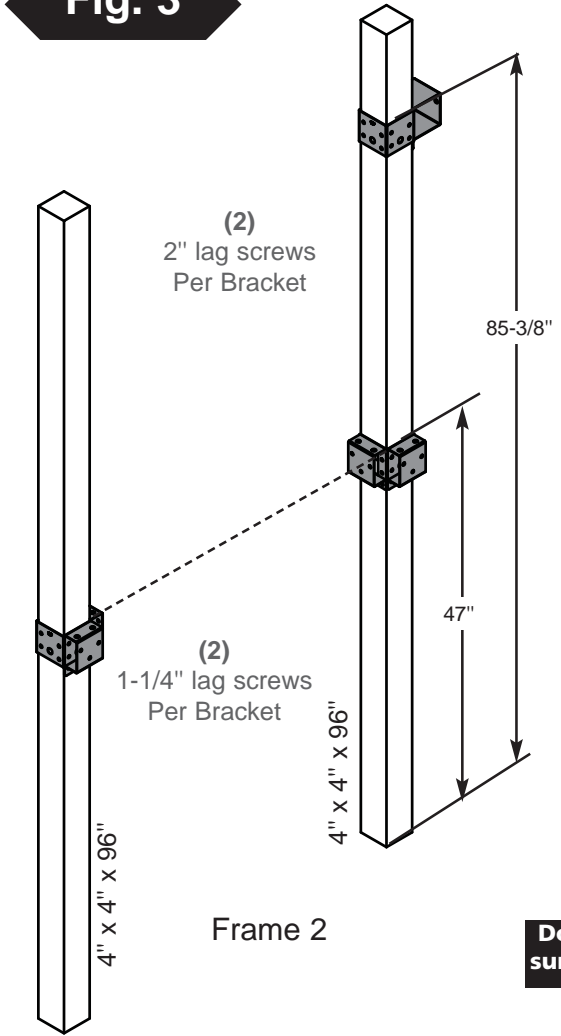
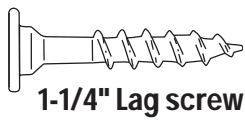
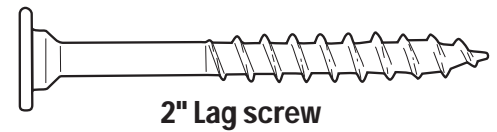
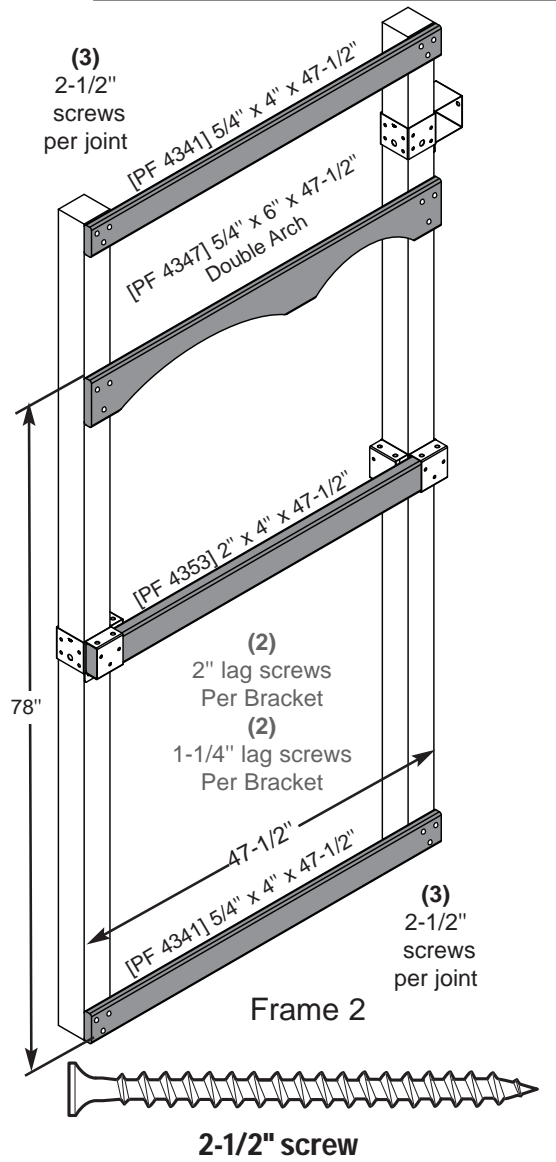
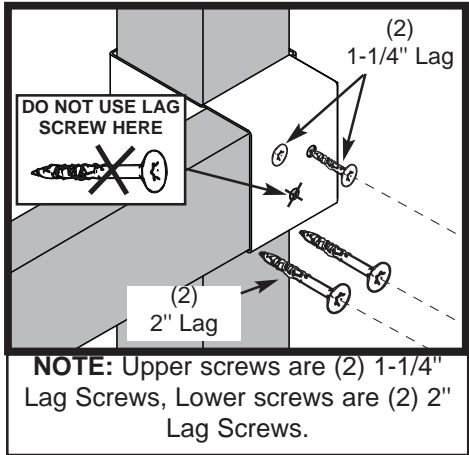
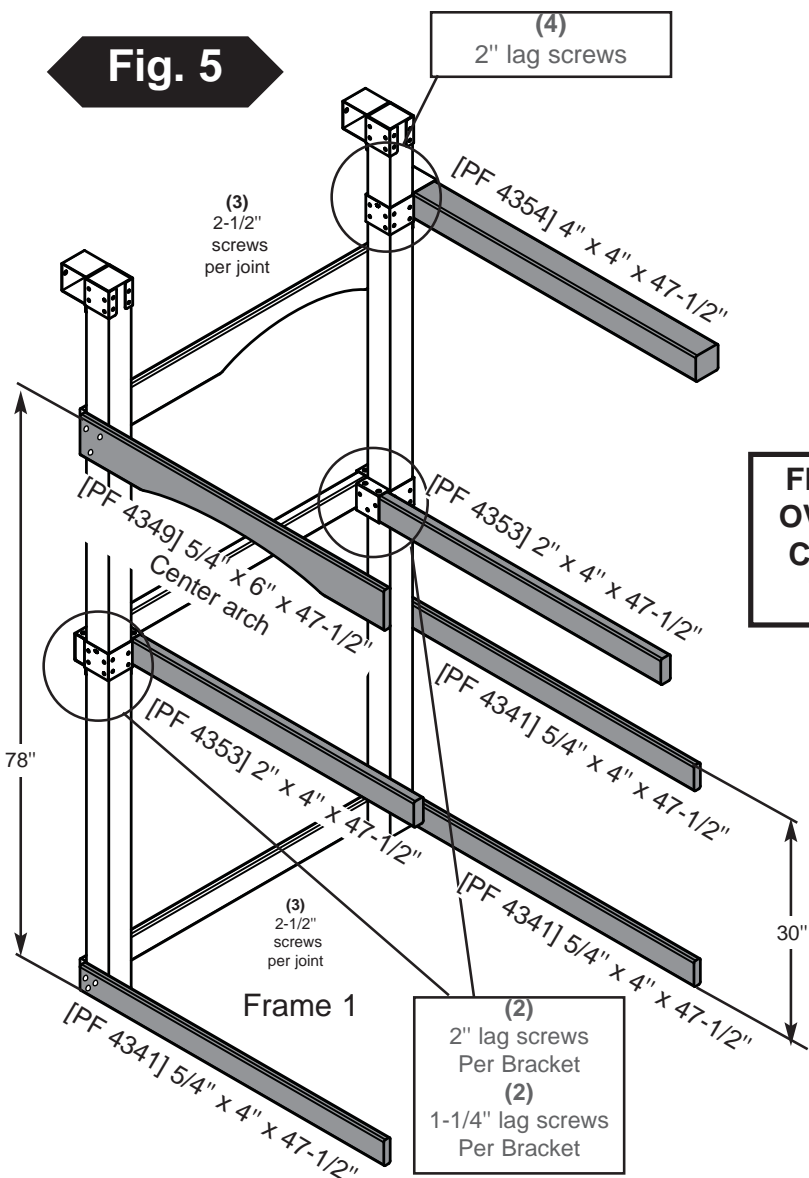


Fig. 4



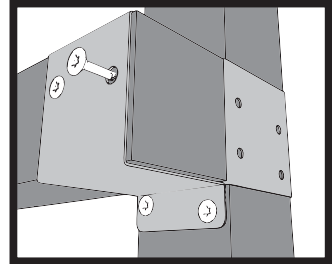
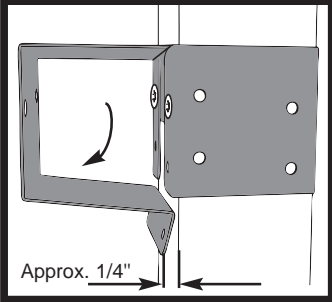
- Frame 2 Construction cont.**
- Using two (2) 4" x 4" x 96" measure and position brackets as shown in **(Fig. 3)**.
 - Attach 2" x 4" and 5/4" boards as shown in **(Fig. 4)**.

Fig. 5

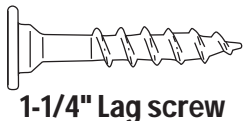
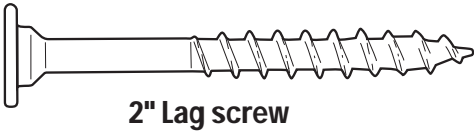
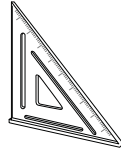


FLIP FRAME 1 OVER BEFORE COMPLETING THIS STEP.

Tip: Flex brackets to make installation of 4" x 4" easier

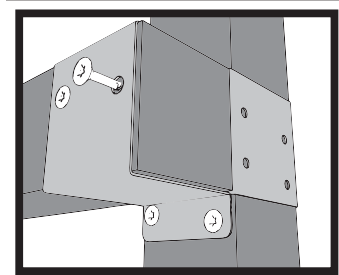
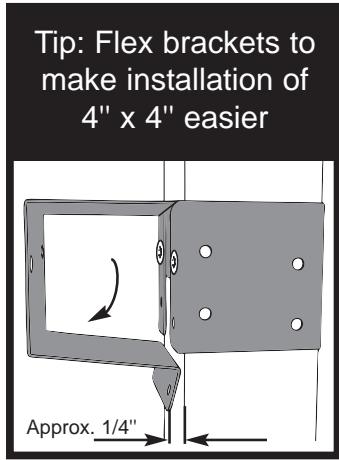
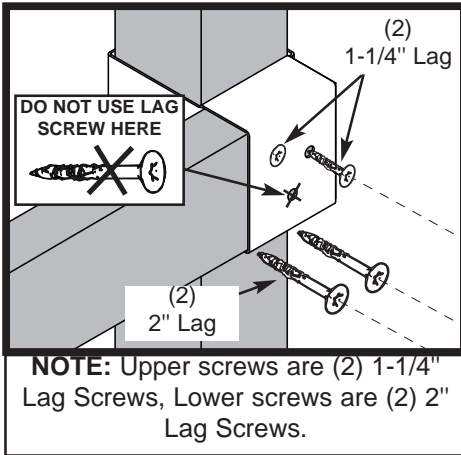


Double check to make sure structure is square



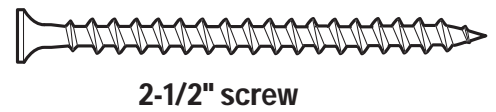
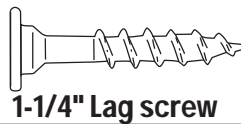
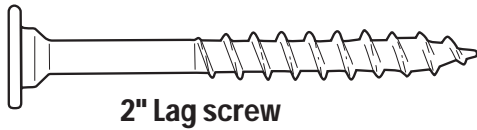
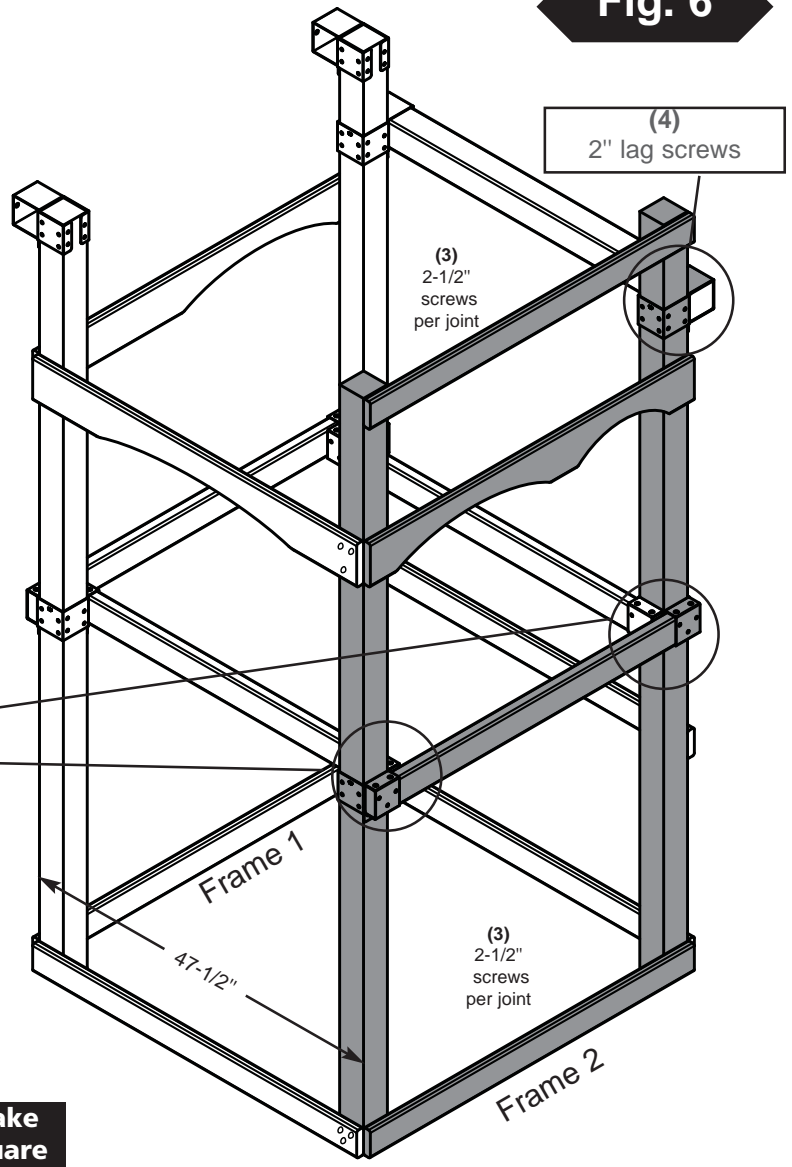
Frame Construction cont.

1. Install Support Boards as shown in (Fig. 5).



Double check to make sure structure is square

Fig. 6



Frame Construction cont.

1. Attach Frame 1 to Frame 2 as shown in **(Fig. 6)**.

Fig. 7

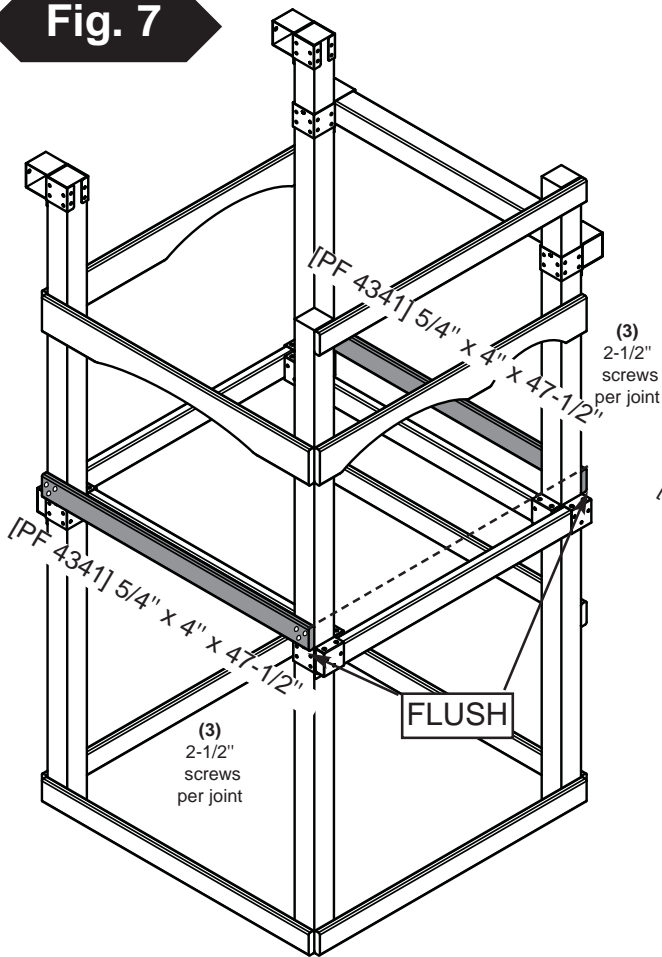


Fig. 7a

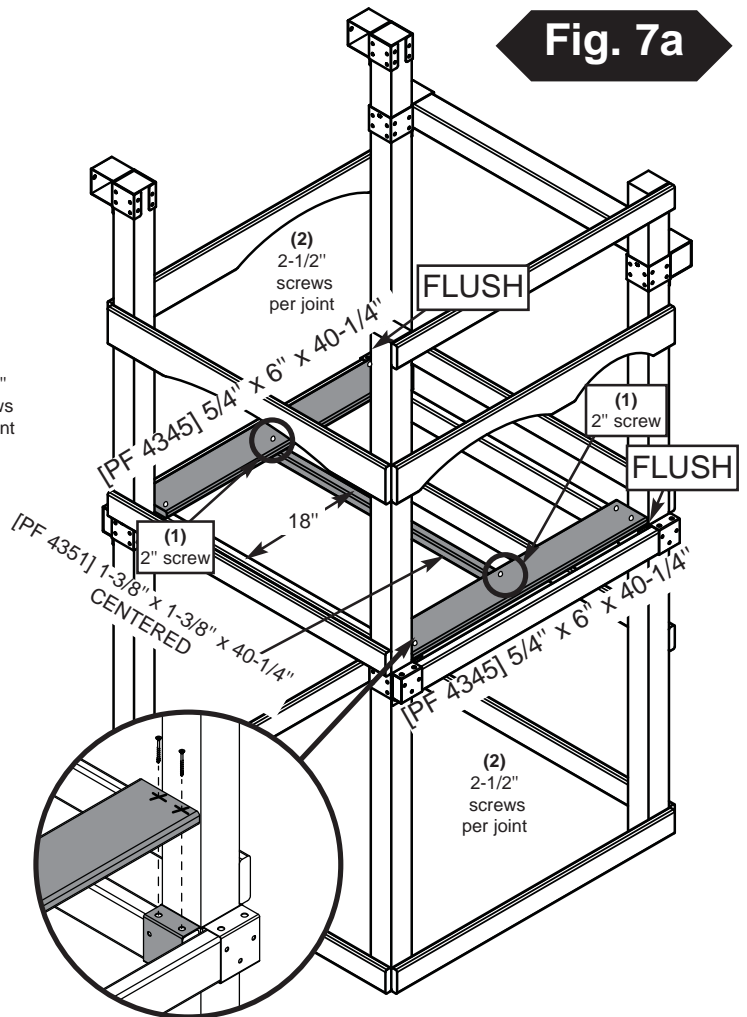
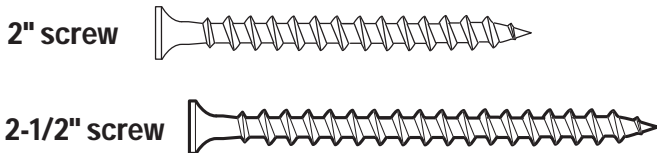
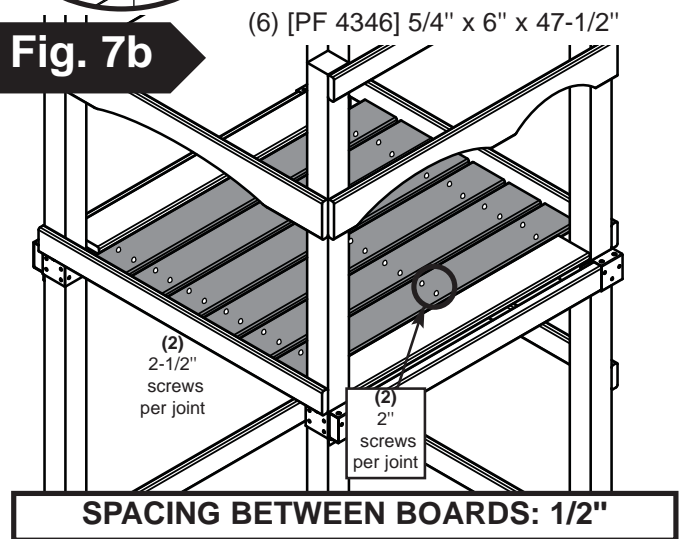


Fig. 7b



Install Deck Boards

1. Install (2) 5/4" x 4" support boards as shown in (Fig. 7).
2. Install (2) 5/4" x 6" and (1) 1-3/8" x 1-3/8" deck support board as shown in (Fig. 7a).
Tip: To assist with proper screw placement, mark the boards where they line up with the bracket holes, then insert hardware.
3. Install remaining deck boards as shown in (Fig. 7b).
Note: Screws at center will attach to center support.

**Swing Beam Drill Locations,
STANDARD LUMBER ONLY:
For Wood Guard Lumber see (Fig. 8a).**

1. Drill holes in 4" x 4" x 10' Swing Beam using a 3/8" Drill Bit at each location indicated in (Fig. 8).

TOP VIEW

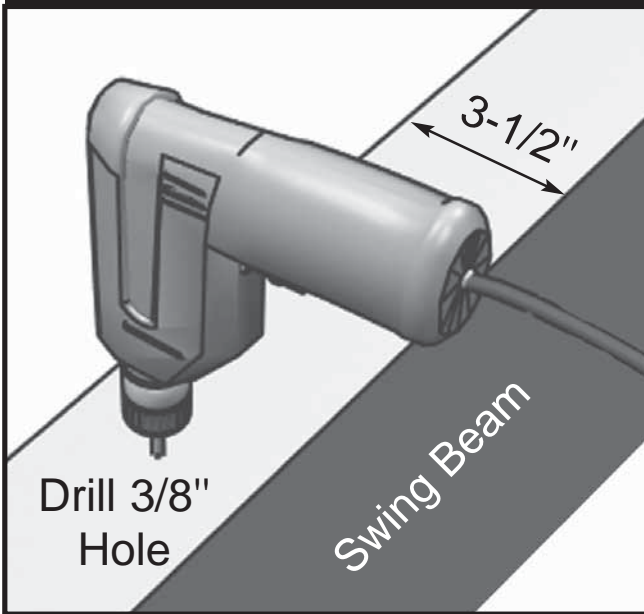
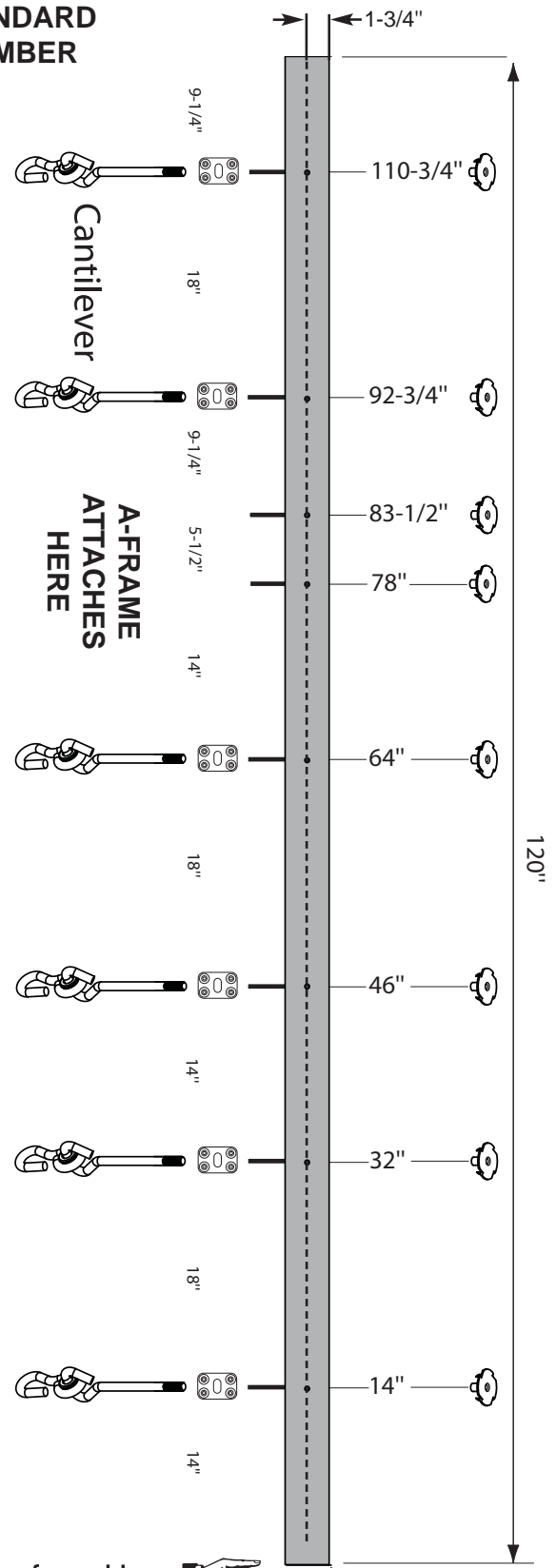


Fig. 8

STANDARD LUMBER



Cantilever

A-FRAME ATTACHES HERE

Measure from Here

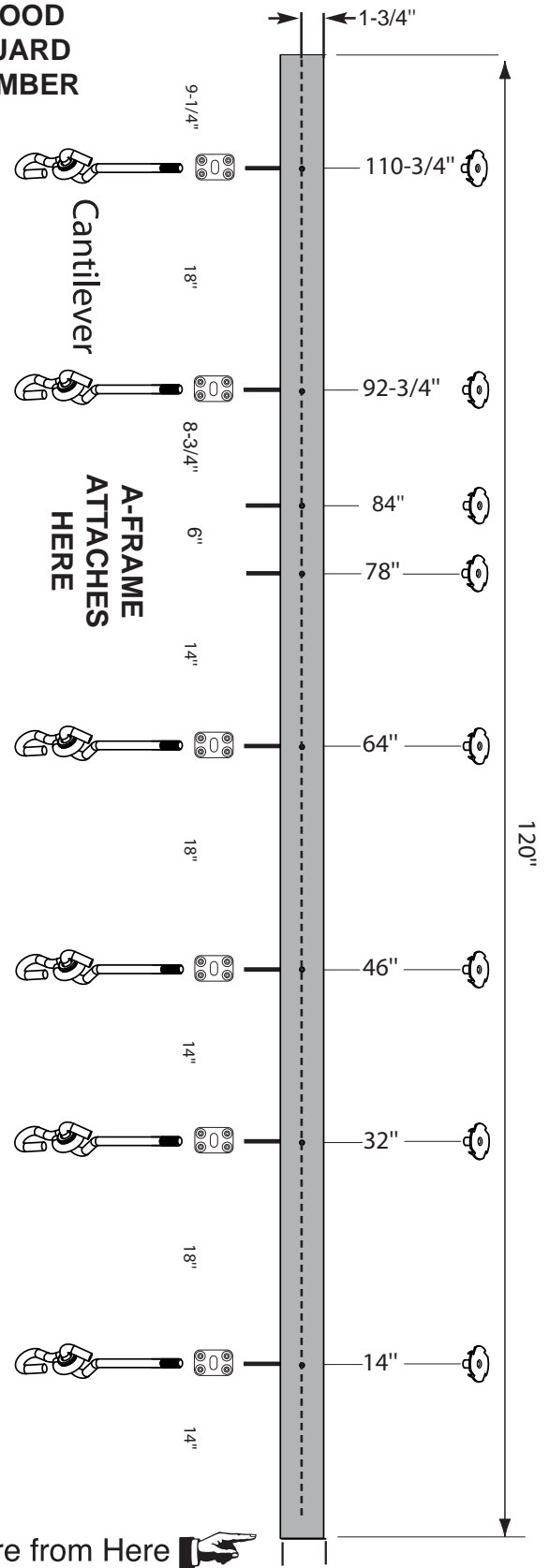
playset

**Swing Beam Drill Locations,
WOOD GUARD LUMBER ONLY:
For Standard Lumber see (Fig. 8).**

1. Drill holes in 4" x 4" x 10' Swing Beam using a 3/8" Drill Bit at each location indicated in (Fig. 8a).

Fig. 8a

**WOOD
GUARD
LUMBER**



playset

TOP VIEW

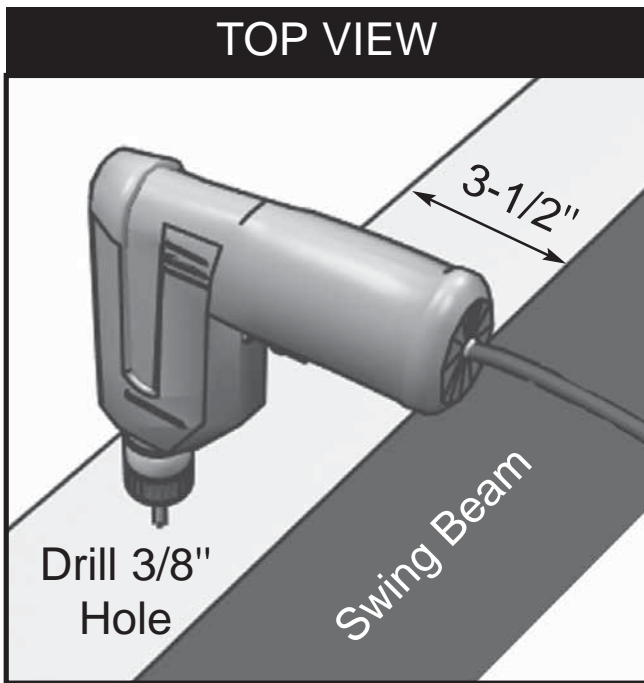
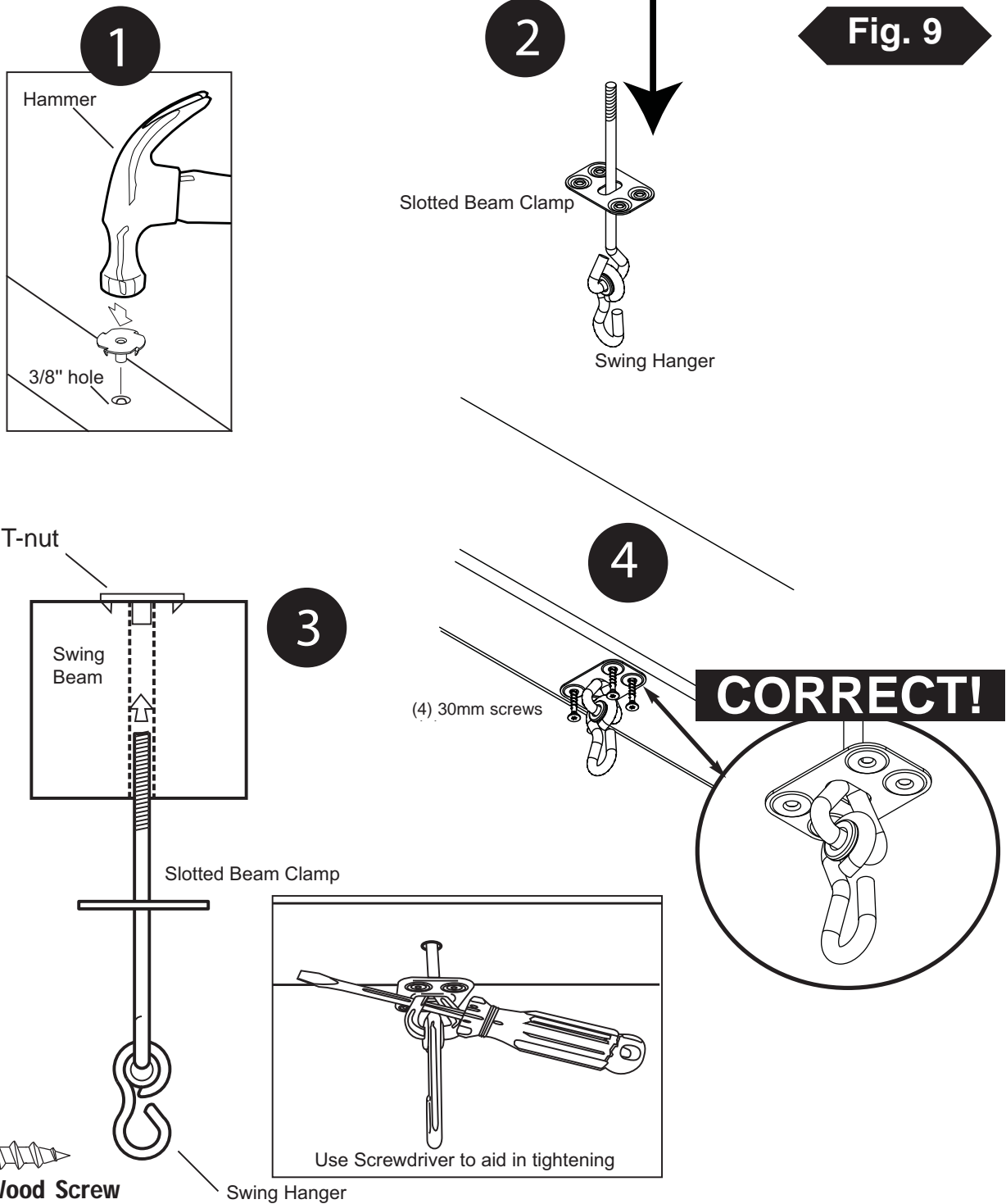
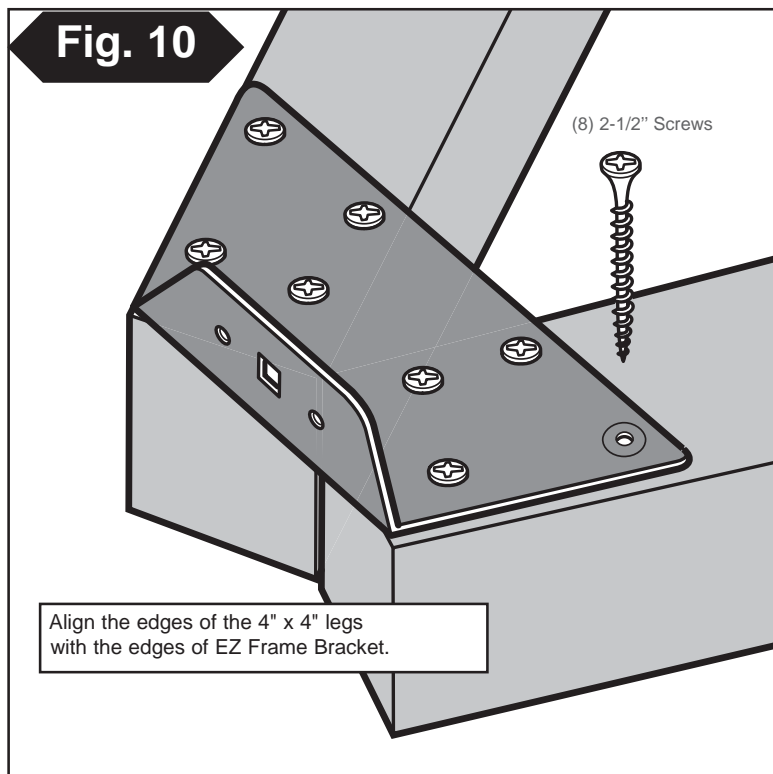


Fig. 9



Swing Hanger Assembly

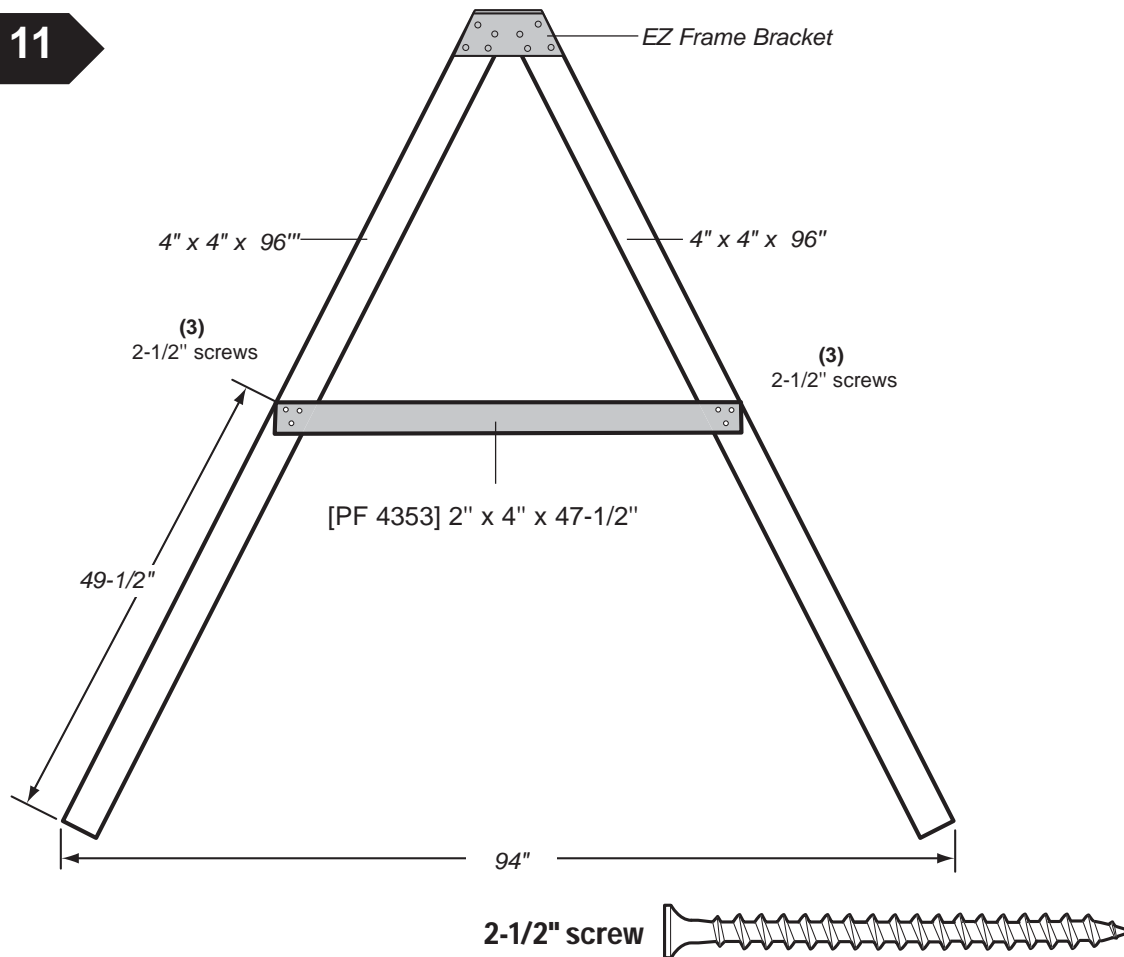
1. Tap T-nut into 3/8" hole as shown in **(Step 1)**.
2. Place a Slotted beam clamp over the swing hanger as shown in **(Step 2)**.
3. Insert the swing hanger into the beam and thread it into the T-nut until it is flush or near flush with the top of the T-nut. A screwdriver may be used to twist the hanger, as shown in **(Step 3)**.
4. Orient swing hanger as shown in **(Step 4)**. Use (4) 30mm screws to secure beam clamp.
5. Check hanger to ensure it does not spin.
6. Repeat for all swing hangers.

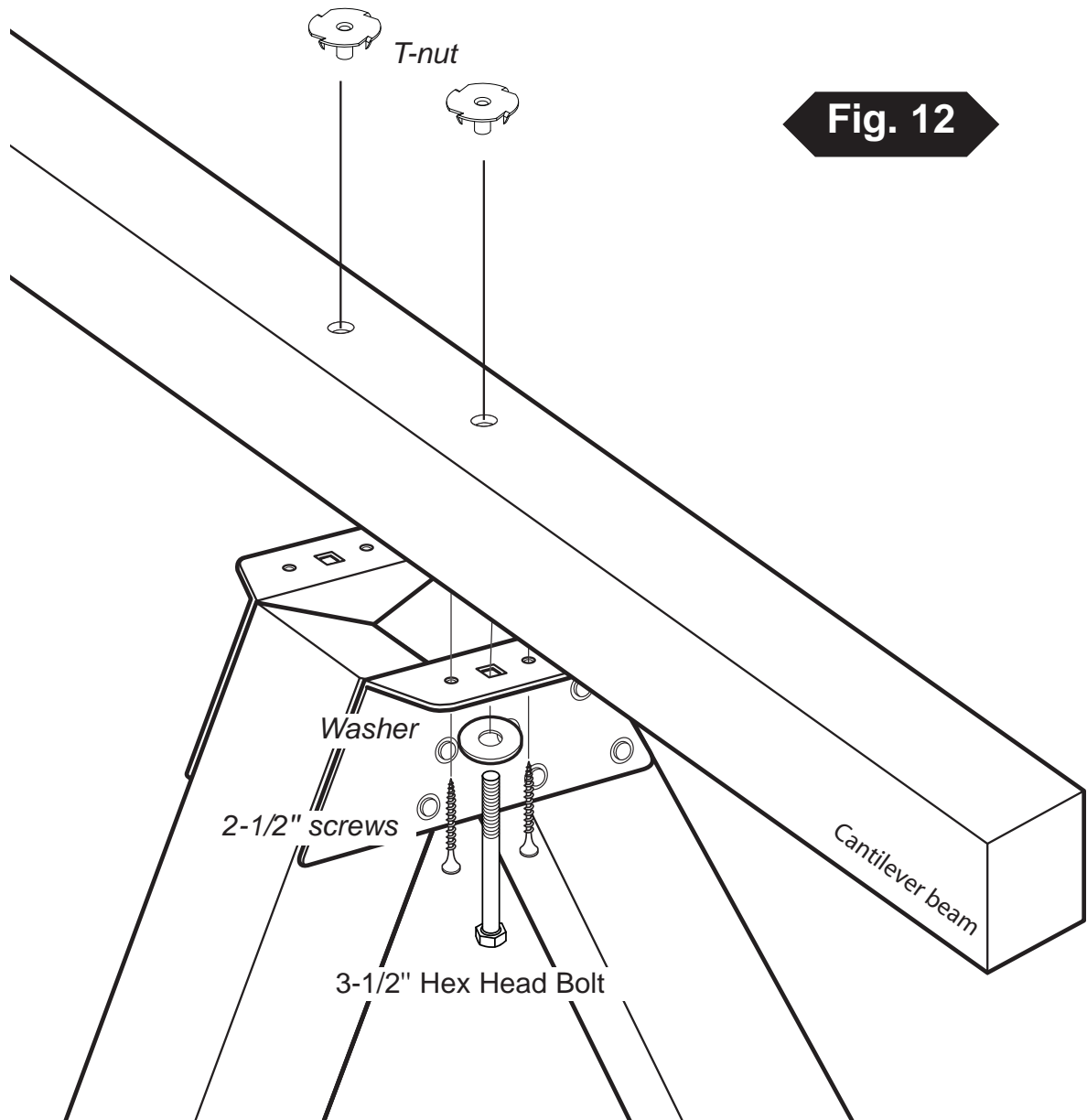


A-Frame Assembly

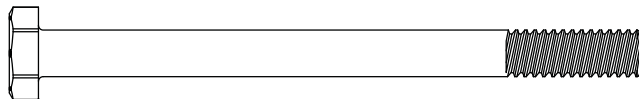
1. Layout 4" x 4"s and 2" x 4" as shown in **(Fig. 10)** and **(Fig. 11)**.
2. Align EZ Frame Bracket with face of 4" x 4"s as shown in **(Fig. 10)**.
3. Secure EZ Frame Bracket with (8) 2-1/2" screws to 4" x 4"s making sure they are flush with each other as shown in **(Fig. 10)**.
4. Secure 2" x 4" to 4" x 4"s as shown in **(Fig. 11)**.
5. Flip over and add 2nd bracket. Repeat steps 2 through 3.

Fig. 11





3-1/2" Hex Head Bolt



2-1/2" screw



A-Frame Assembly cont.

1. Attach A-Frame beam to Swing Beam using (1) 3-1/2" hex bolt, (1) washer and (2) screws as shown in **(Fig. 12)**.
2. Repeat on other bracket. Tighten both hex bolts to flush with top of T-nuts.

Swing Beam Assembly.

1. Position Split-Brackets on 4" x 4" x 47-1/2" (Fig 13).
2. With the help of others, lift A-Frame and Swing Beam Assembly and center onto unit as shown in (Fig. 13).
3. Secure as shown in (Fig 13a).

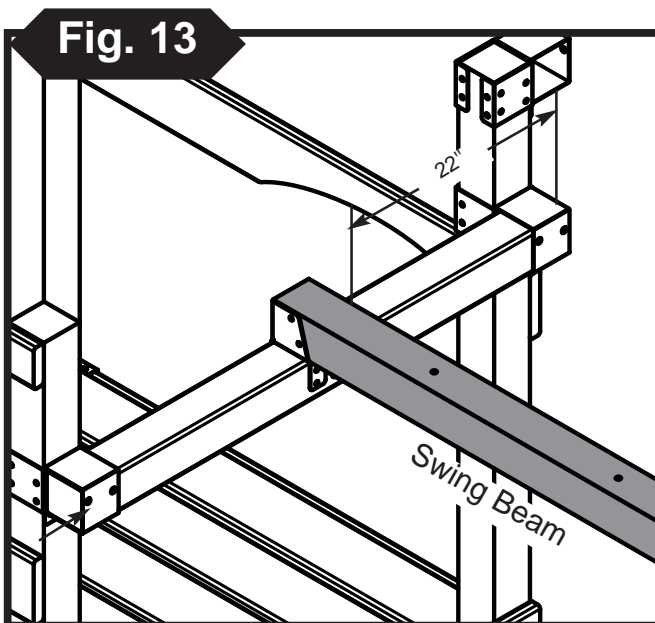


Fig. 13a

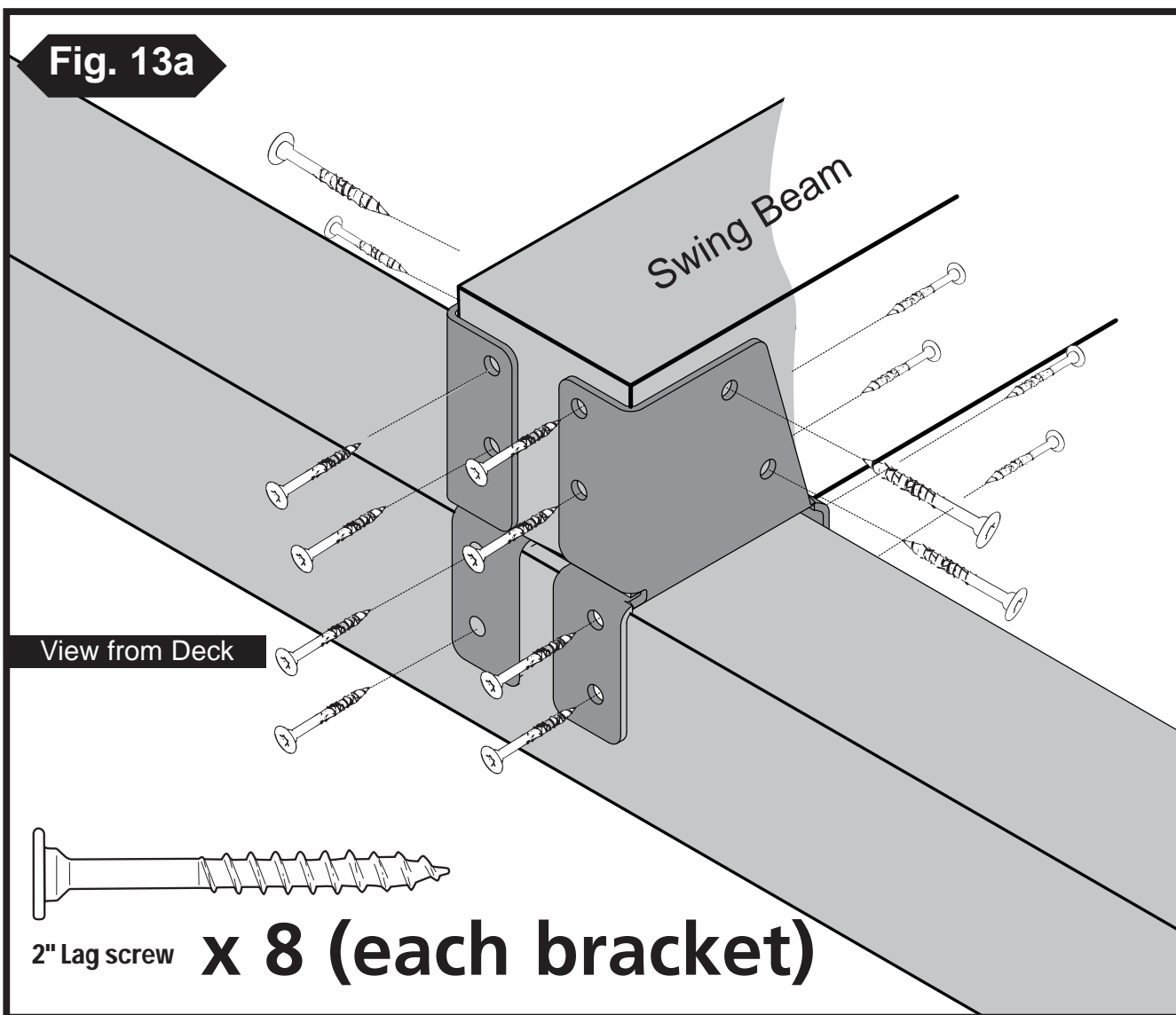
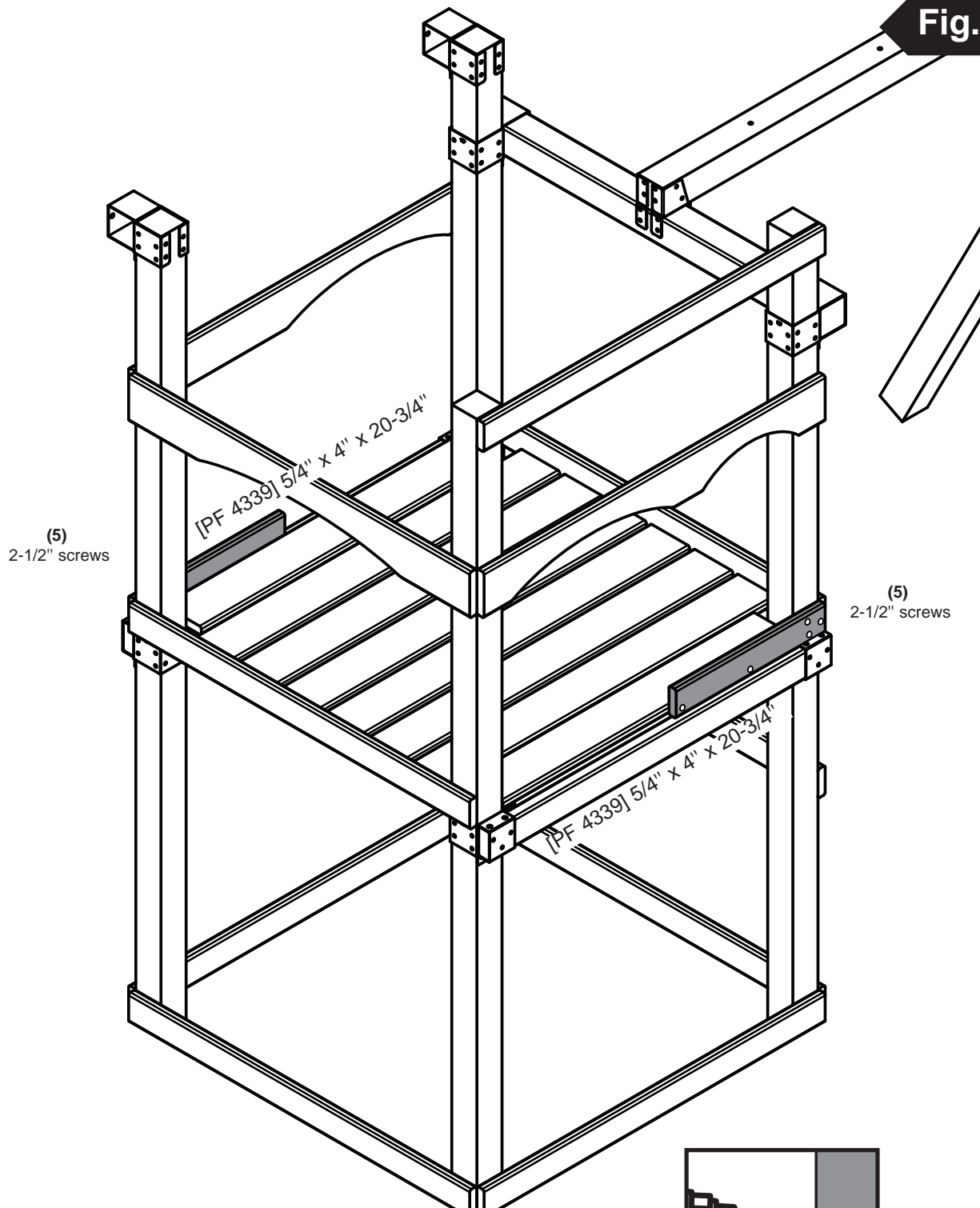


Fig. 14



(5)
2-1/2" screws

(5)
2-1/2" screws

Barrier Support Boards

1. Install barrier support boards as shown in (Fig. 14).

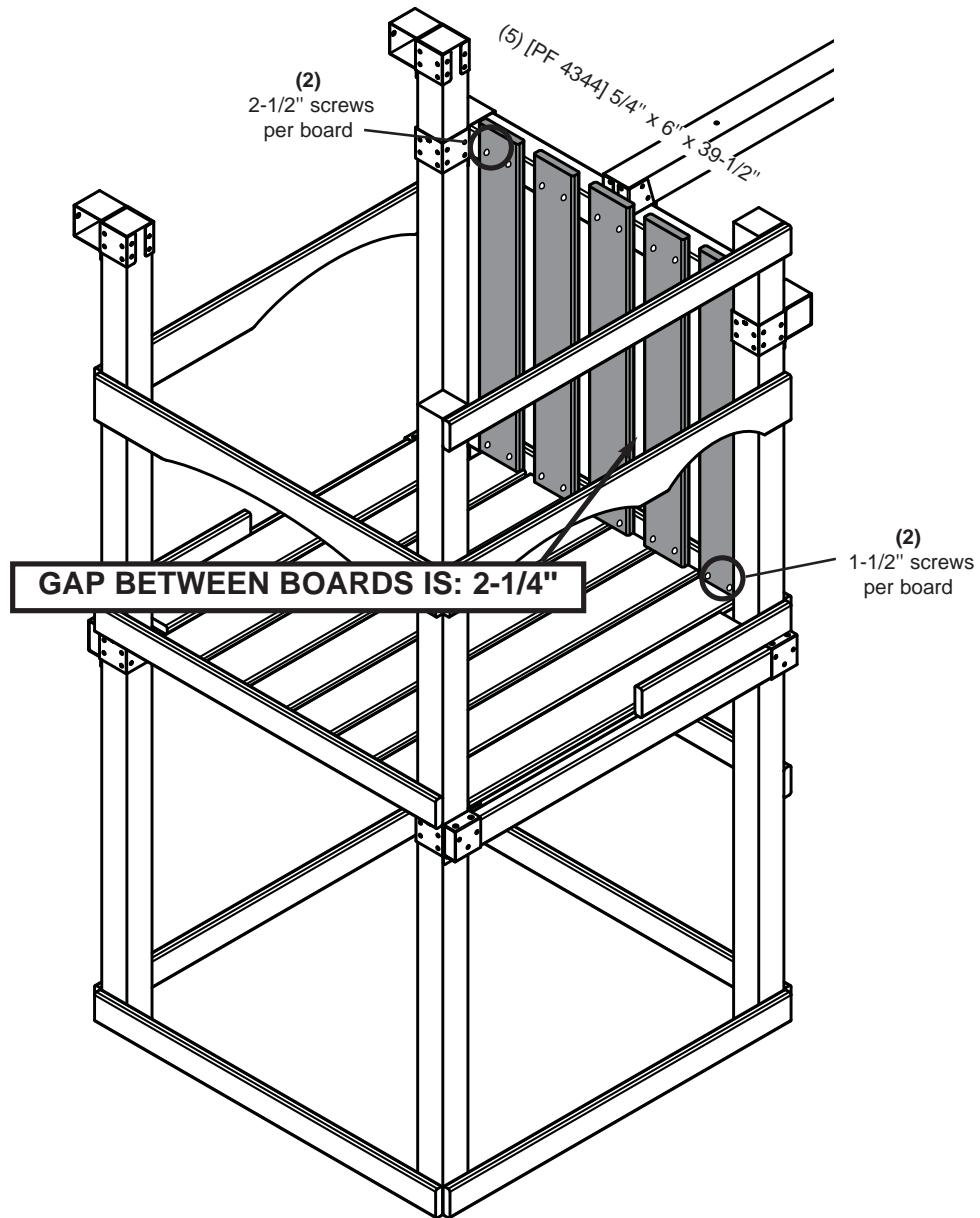


Pre-Drill To
Minimize
Splitting



2-1/2" screw

Fig. 15



Barrier Boards

1. Install (5) 5/4" x 6" barrier boards evenly spaced in the opening. See (Fig. 15).



1-1/2" screw



2-1/2" screw

Fig. 16

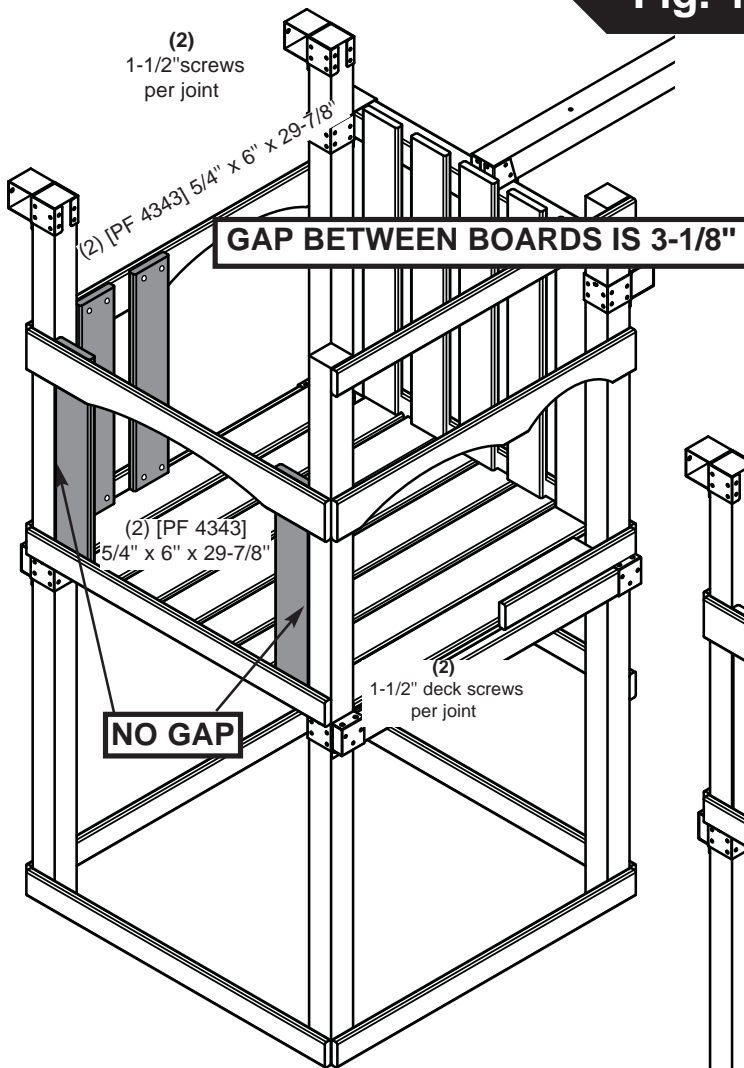
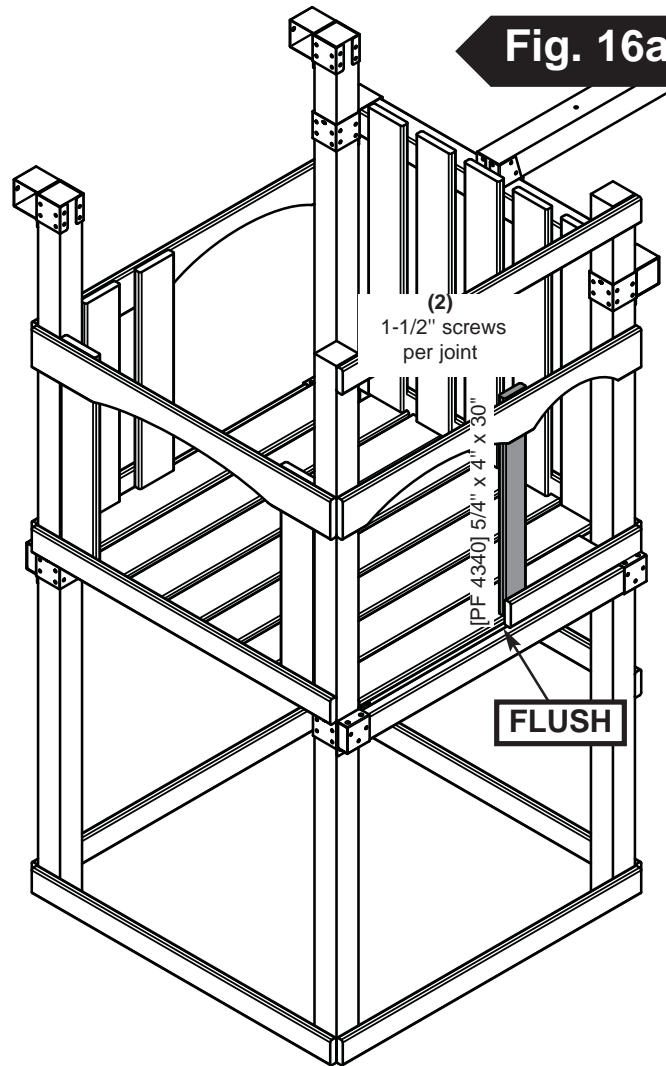


Fig. 16a



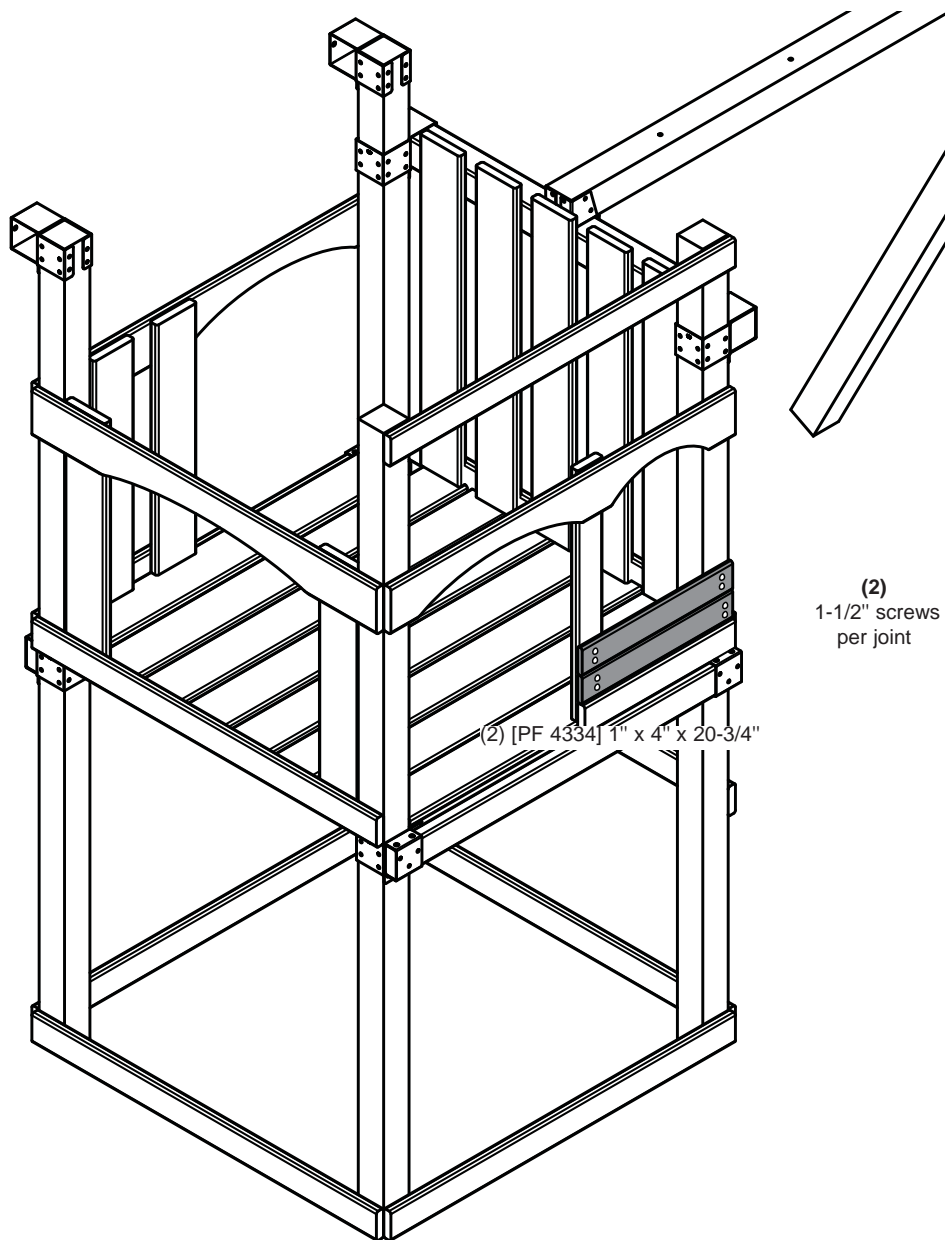
Barrier Boards cont.

1. Install barrier boards spaced to create openings as shown in **(Fig. 16)** and **(Fig. 16a)**.



1-1/2" screw

Fig. 17



1-1/2" screw

Barrier Boards cont.

1. Install barrier boards as shown in **(Fig. 17)**.

Fig. 18

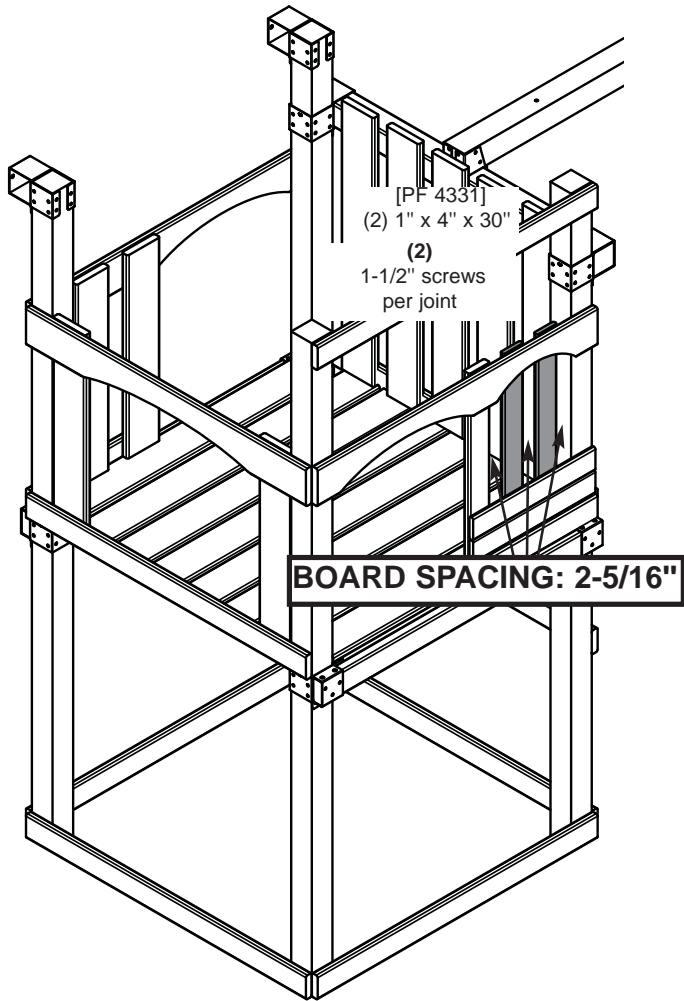
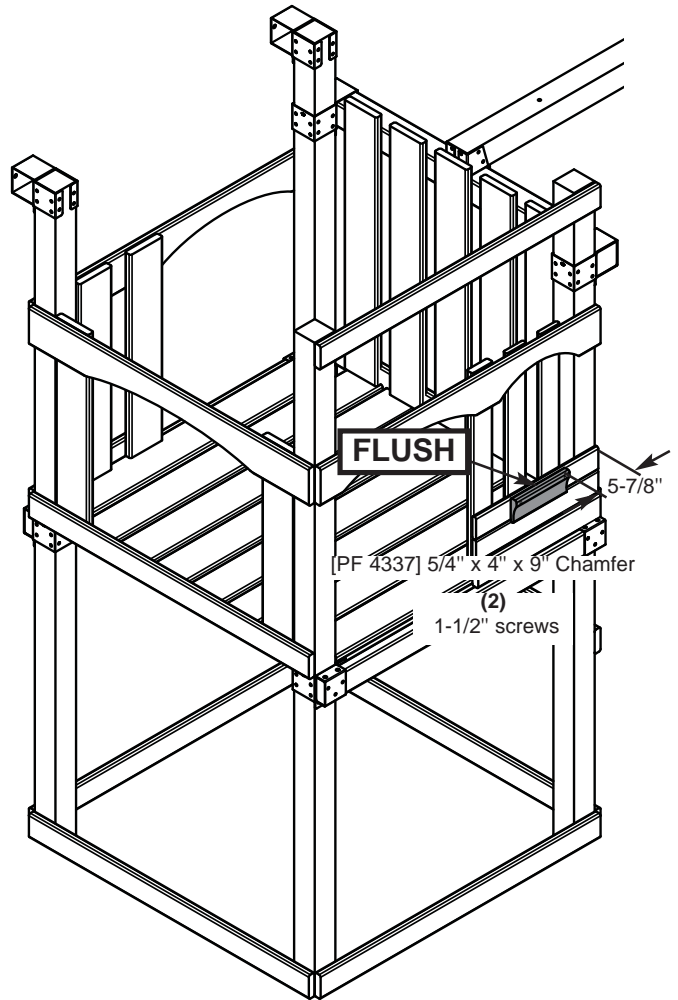


Fig. 18a



1-1/2" screw

Window Dressing

1. Install (2) Fence Boards as shown in (Fig. 18).
2. Install (1) Chamfer Boards as shown in (Fig. 18a).
3. Install (1) Window Sill as shown in (Fig. 18b).

Fig. 18b

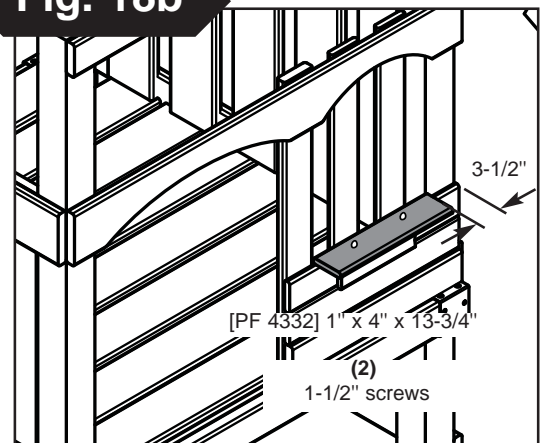


Fig. 19

x2

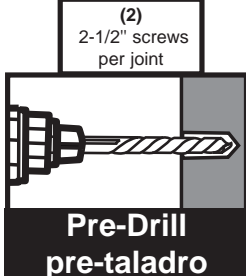
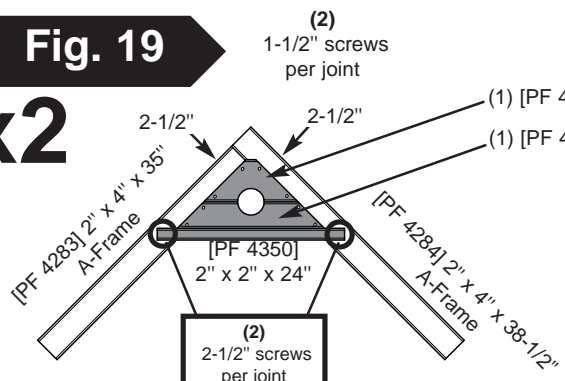


Fig. 19a

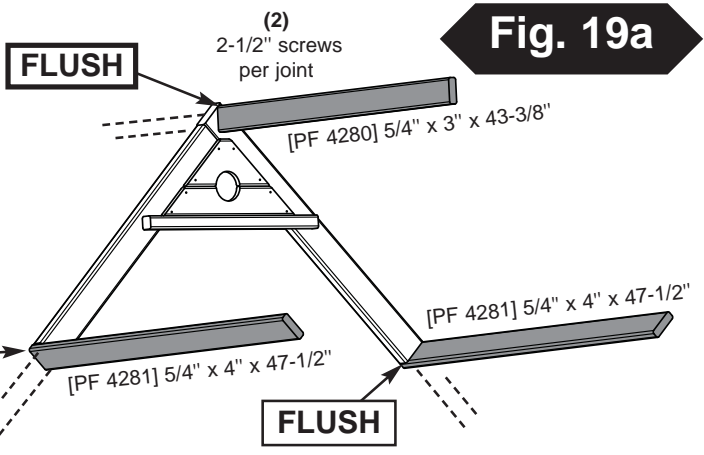


Fig. 19b

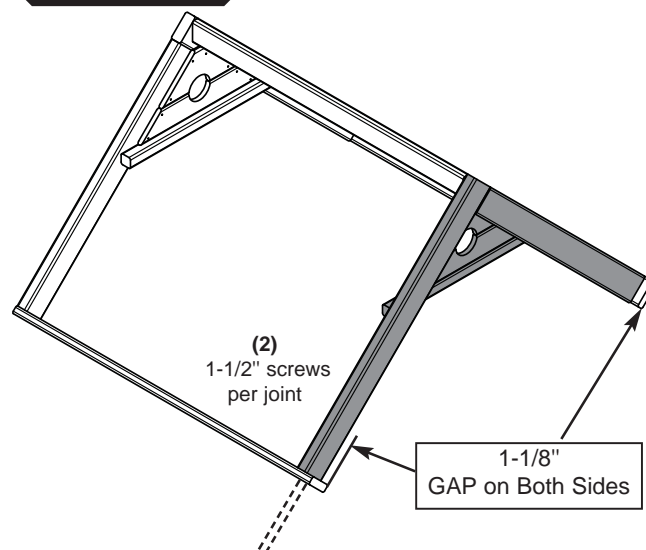
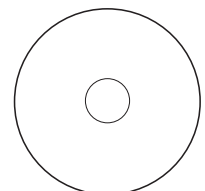
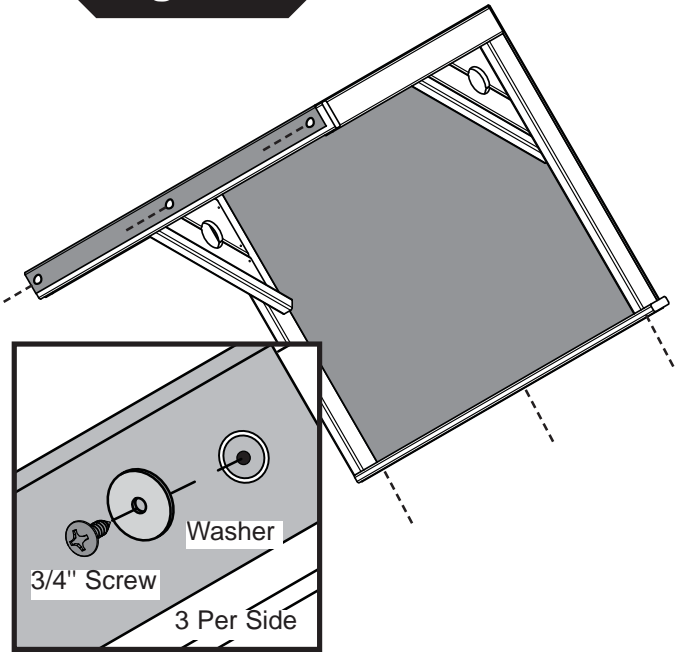
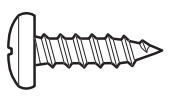


Fig. 19c



Tarp Washer



3/4" screw



1-1/2" screw

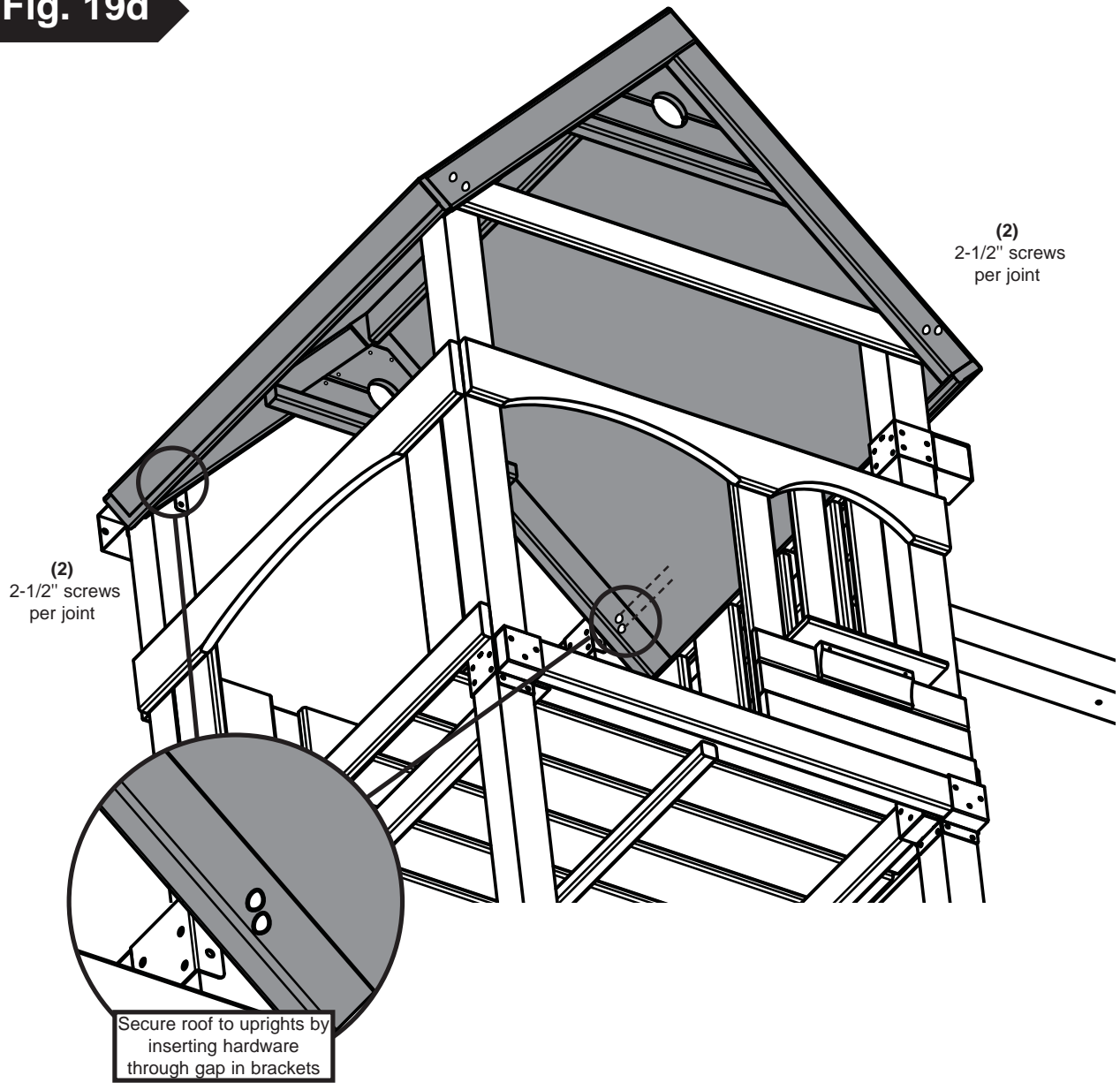


2-1/2" screw

Roof Assembly.

1. Assemble (2) A-Frames as shown in (Fig. 19).
2. Attach (3) Roof Supports as shown in (Fig. 19a).
Note: Secure boards in place by installing screws from the outside of the A-frame.
3. Attach A-Frames together as shown in (Fig. 19b).
4. Install Tarp as shown in (Fig. 19c).

Fig. 19d

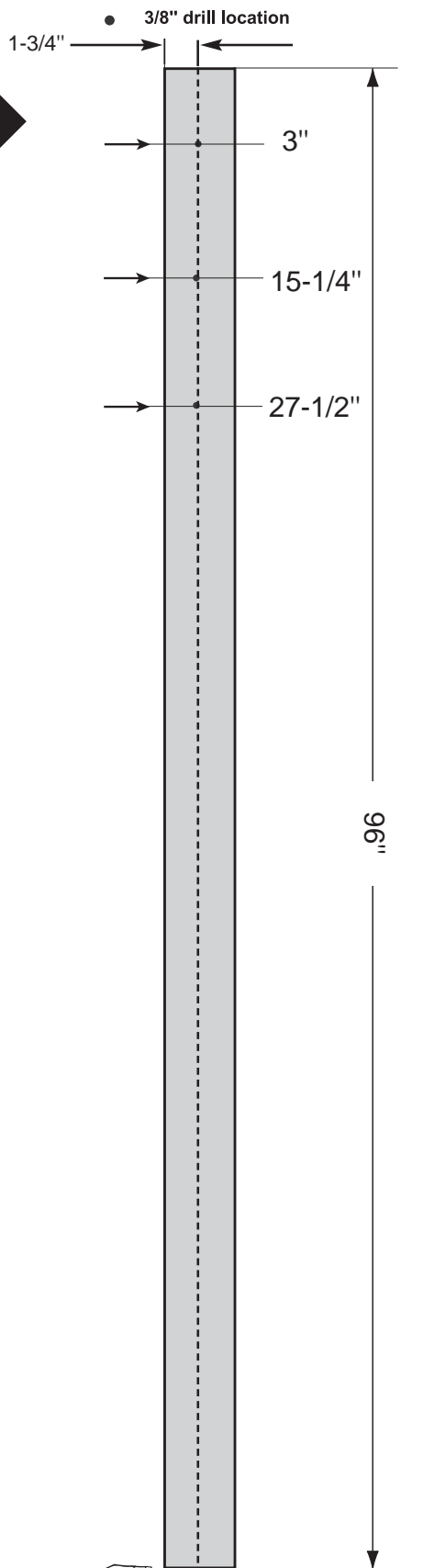


Roof Assembly Cont.

1. Attach roof assembly to unit as shown in (Fig. 19d).

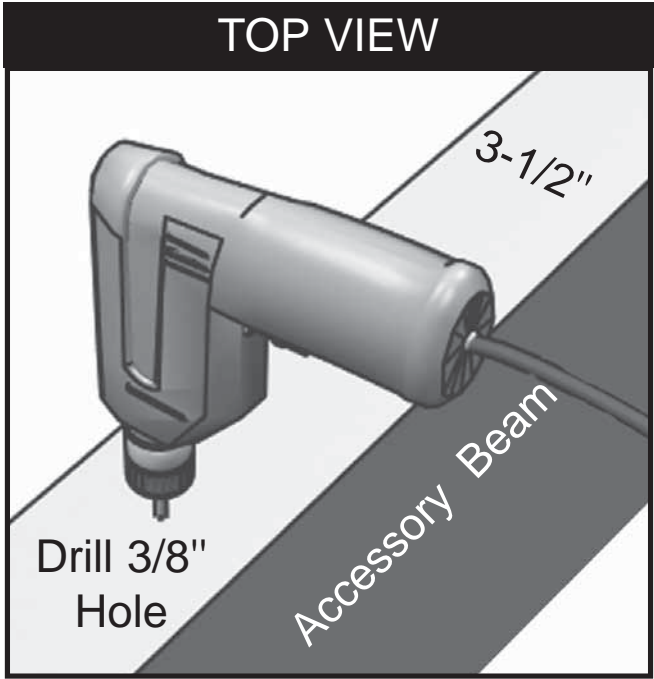
Note: Secure back side of roof to unit by inserting screws through the slots in the brackets.

Fig. 20



Accessory Beam Drill Locations

1. Use a 3/8" drill bit to drill a hole through the center of the 4" x 4" beam at each location shown in **(Fig. 20)**.



Measure from Here

3-1/2" **playset**

Tip: Flex brackets to make installation of 4" x 4" easier

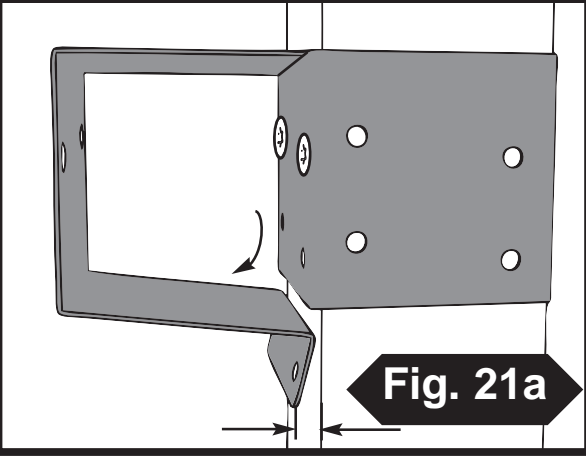


Fig. 21a

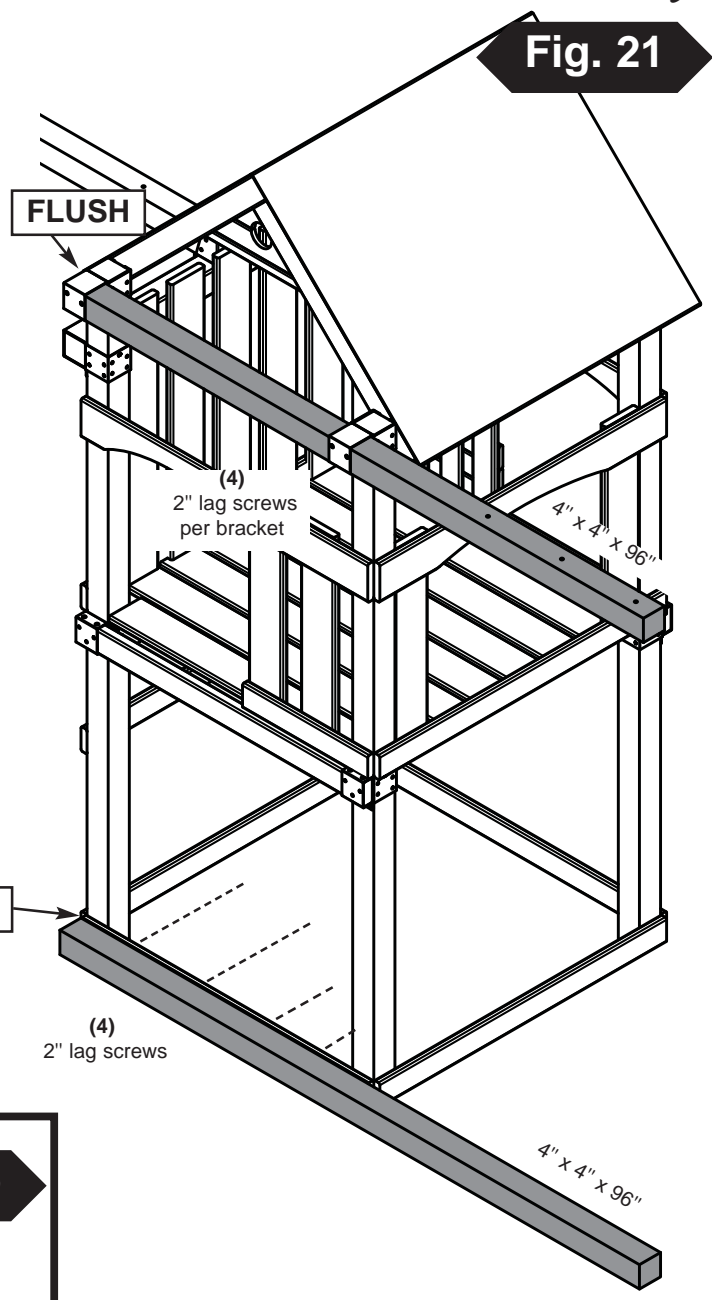


Fig. 21

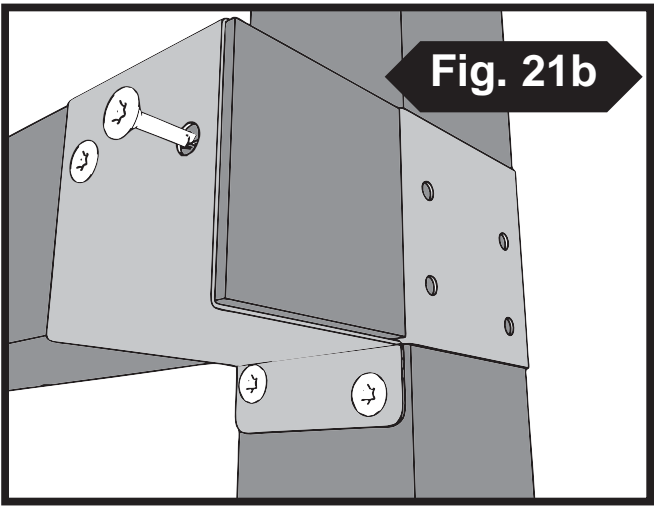
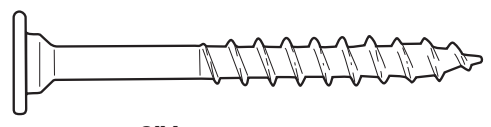


Fig. 21b



2" Lag screw

Install Accessory 4x4

Note: Drill Holes in 4" x 4" before mounting

1. Work 4" x 4" into brackets as shown in **(Fig. 21)** and **(Fig. 21a)**.
2. Secure brackets **(Fig. 21b)**.
3. Attach accessory 4" x 4" to base board as shown in **(Fig. 21)**.

Fig. 22

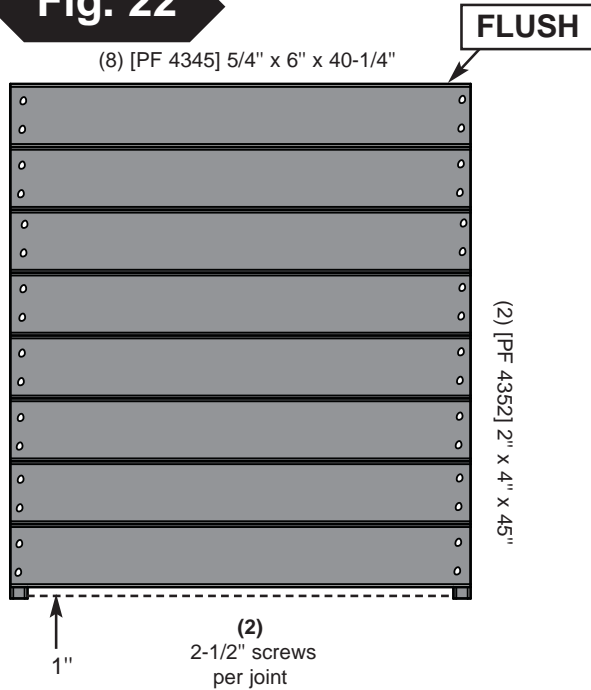
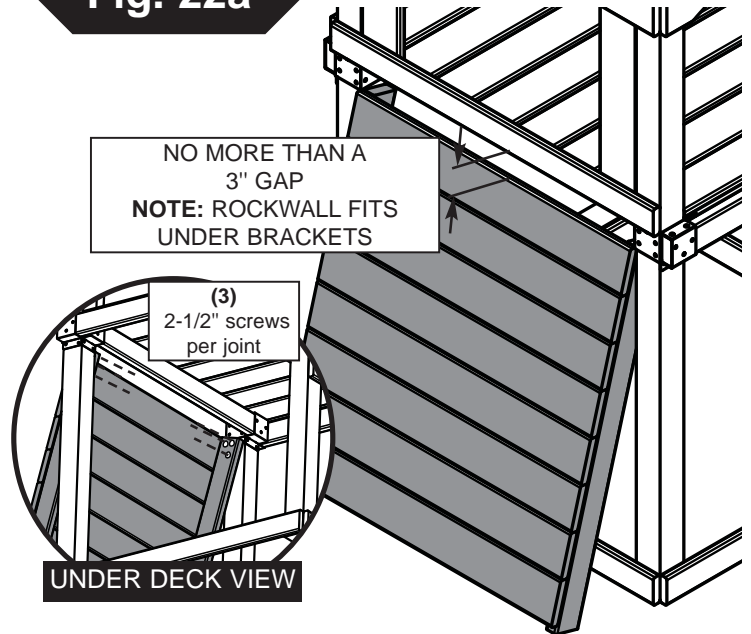


Fig. 22a



2-1/2" screw

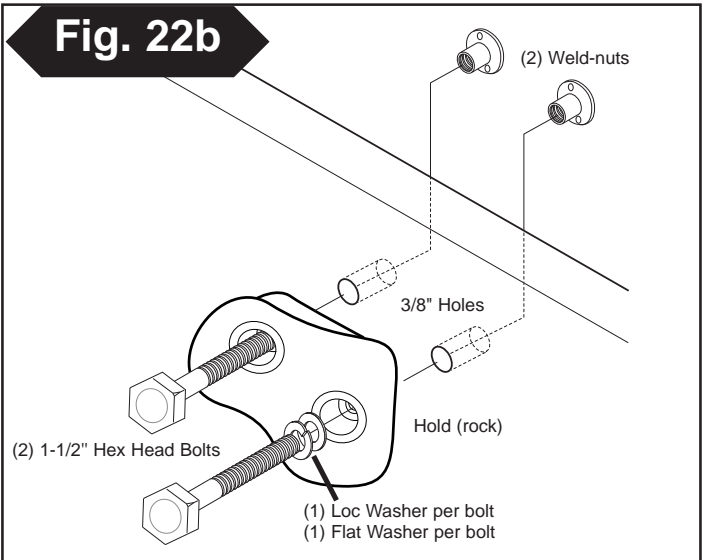
Rock Wall Assembly.

1. Assemble Rock Wall as shown in **(Fig. 22)**.
2. Mount Rocks to wall in a pattern that will allow your child to access the deck easily. Mount rocks per instructions below.
3. Attach the Rock Wall to the unit as shown in **(Fig. 22a)**.

Climbing Rock Installation

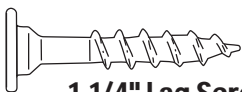
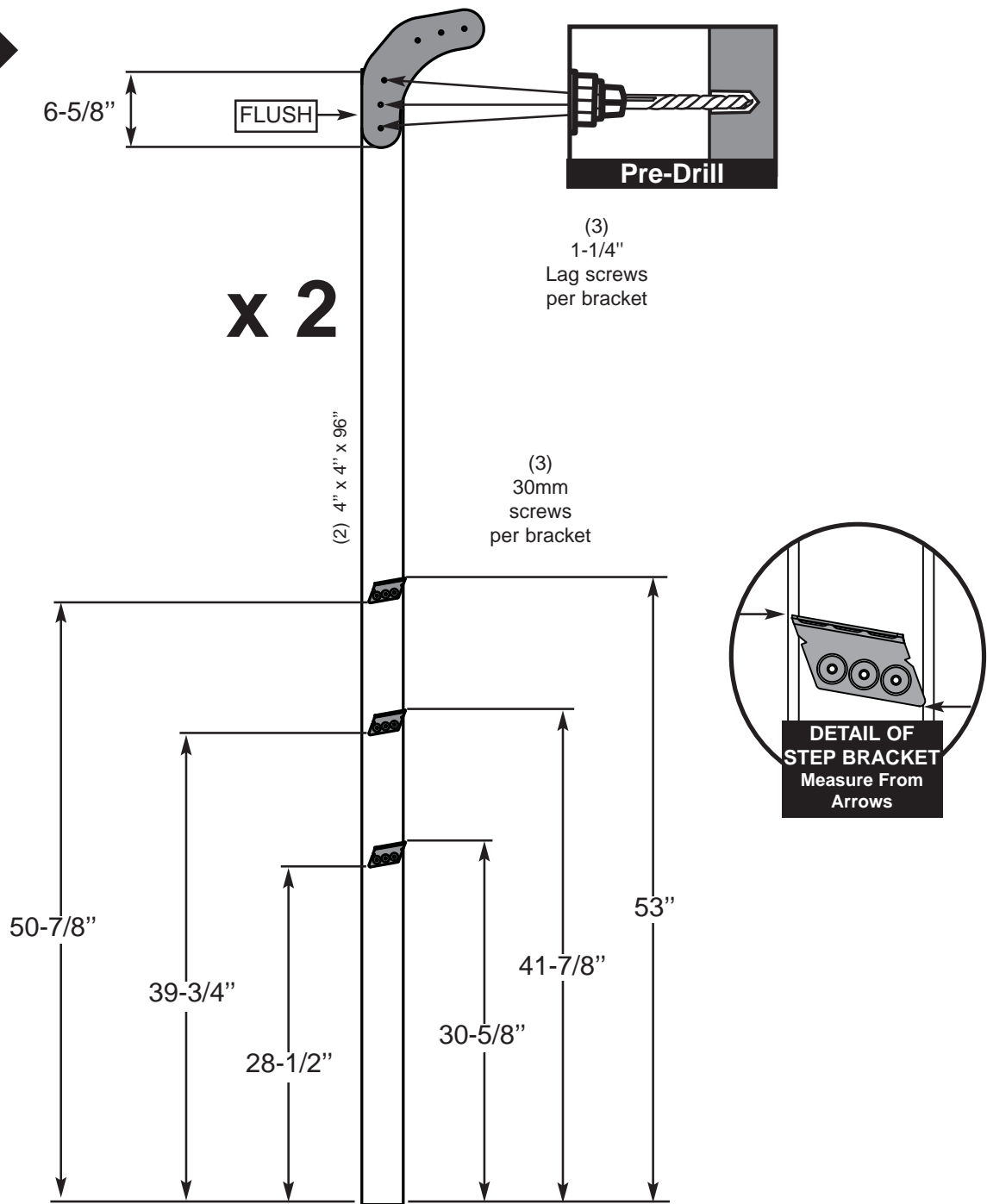
1. Mark locations of Climbing Rocks on the Climbing Wall in a pattern that will easily allow your child to climb to the deck. Make sure the bolt hole locations are clear of wall supports before drilling.
2. Drill holes through the wall at the desired locations using a 3/8" drill bit. Install Climbing Rocks as shown in **(Fig. 22b)**.
3. Make sure the Climbing Wall and Climbing Rock connections are secure before allowing any children to play on the Climbing Wall.

Fig. 22b

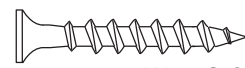


WARNING:
Verify Rock Hardware BEFORE Drilling Holes

Fig. 23



1-1/4" Lag Screw



30mm Wood Screw

Monkeybar Assembly:

1. Measure and place Monkey Bar Step Brackets and Boomerang Bracket on upright as shown in **(Fig. 23)**.
Pre-Drill Note: To prevent wood from splitting, pre-drill the (3) holes for the 1-1/4" Lag Screws. Use a 1/8" drill bit & drill to a maximum depth of 1-1/4".
2. Reverse dimensions for the brackets on the opposite leg and repeat step 2.

Fig. 24

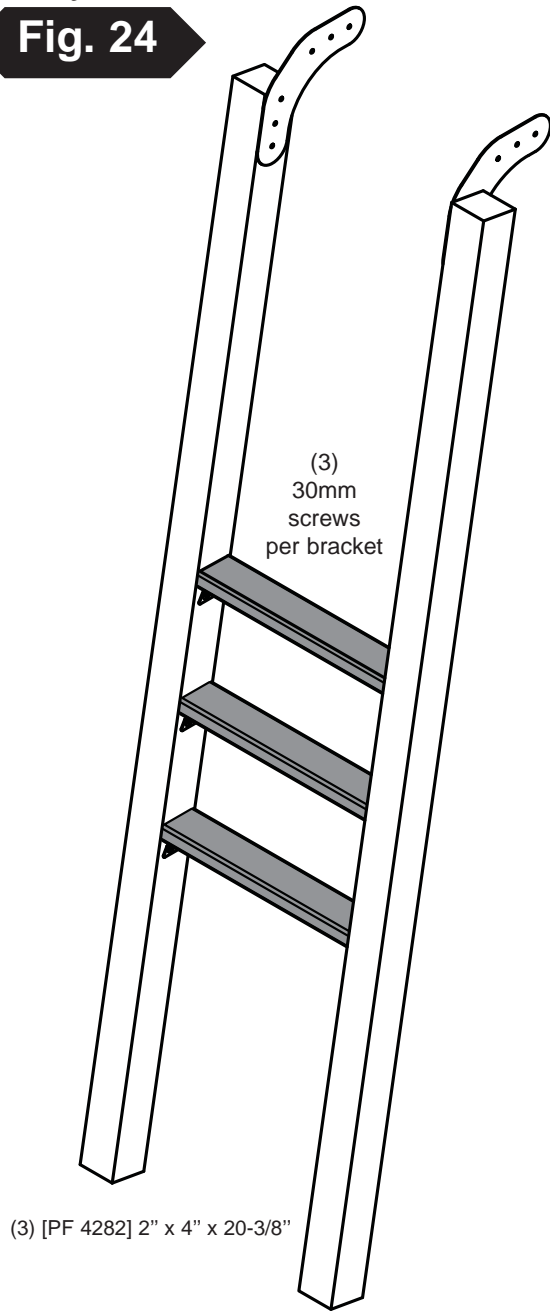


Fig. 24a

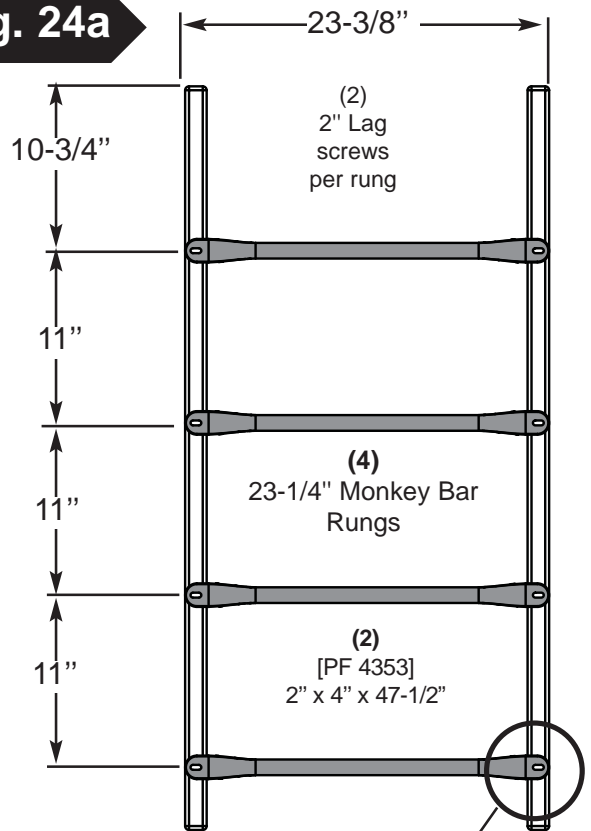
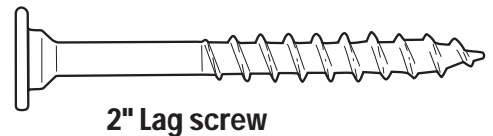
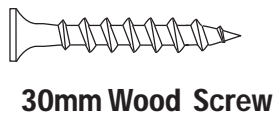
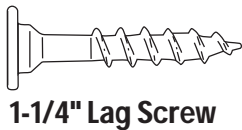
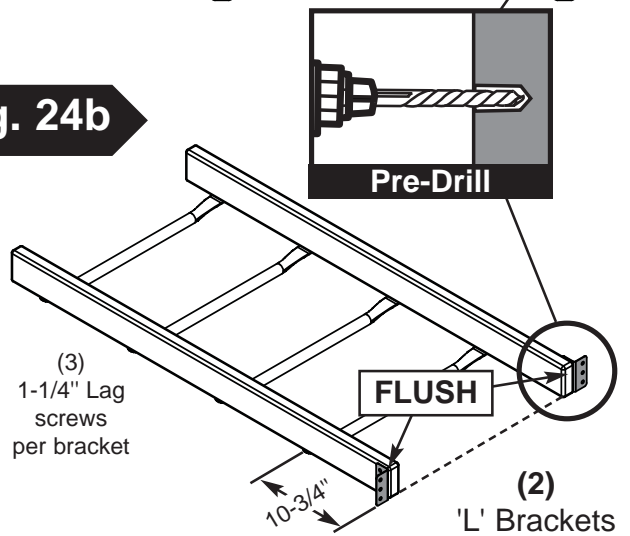


Fig. 24b



Monkeybar Assembly:

1. Attach (3) Monkey Bar Steps as shown in **(Fig. 24)**.
2. Attach (4) Monkey Bar Rungs as shown in **(Fig. 24a)**.
3. Attach (2) 'L' Brackets as shown in **(Fig. 24b)**.

Pre-Drill Note: To prevent wood from splitting, pre-drill all holes for the Monkey Bar Rungs and 'L' Brackets. Use a 1/8" drill bit & drill to a maximum depth of the length of the Lag Screw used.

Fig. 25

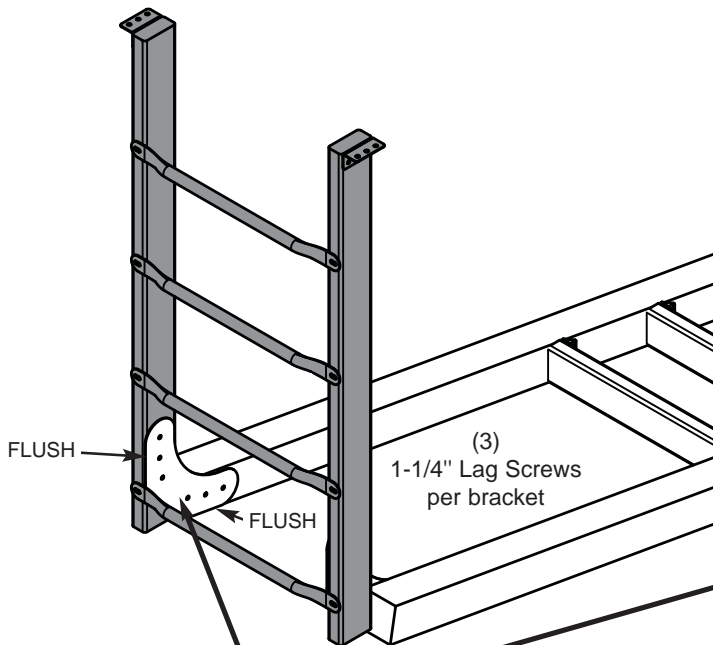


Fig. 25a

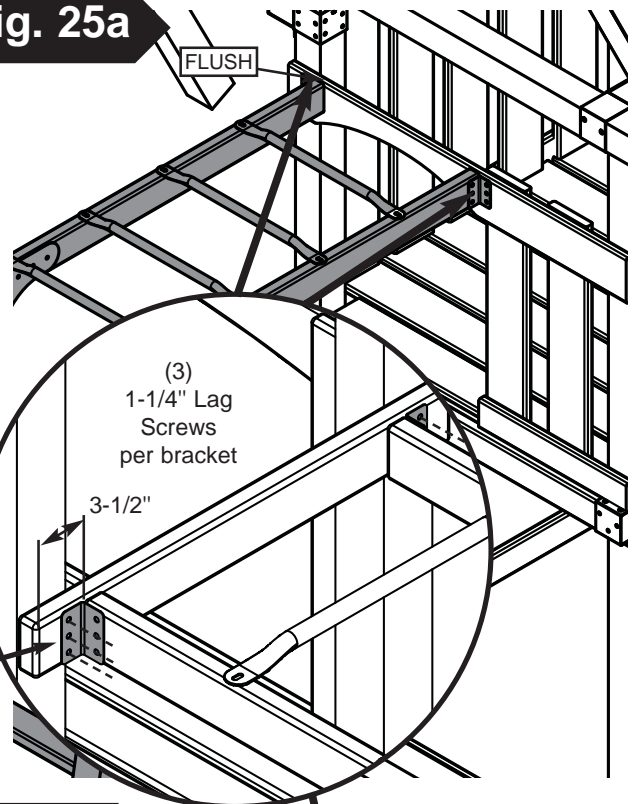
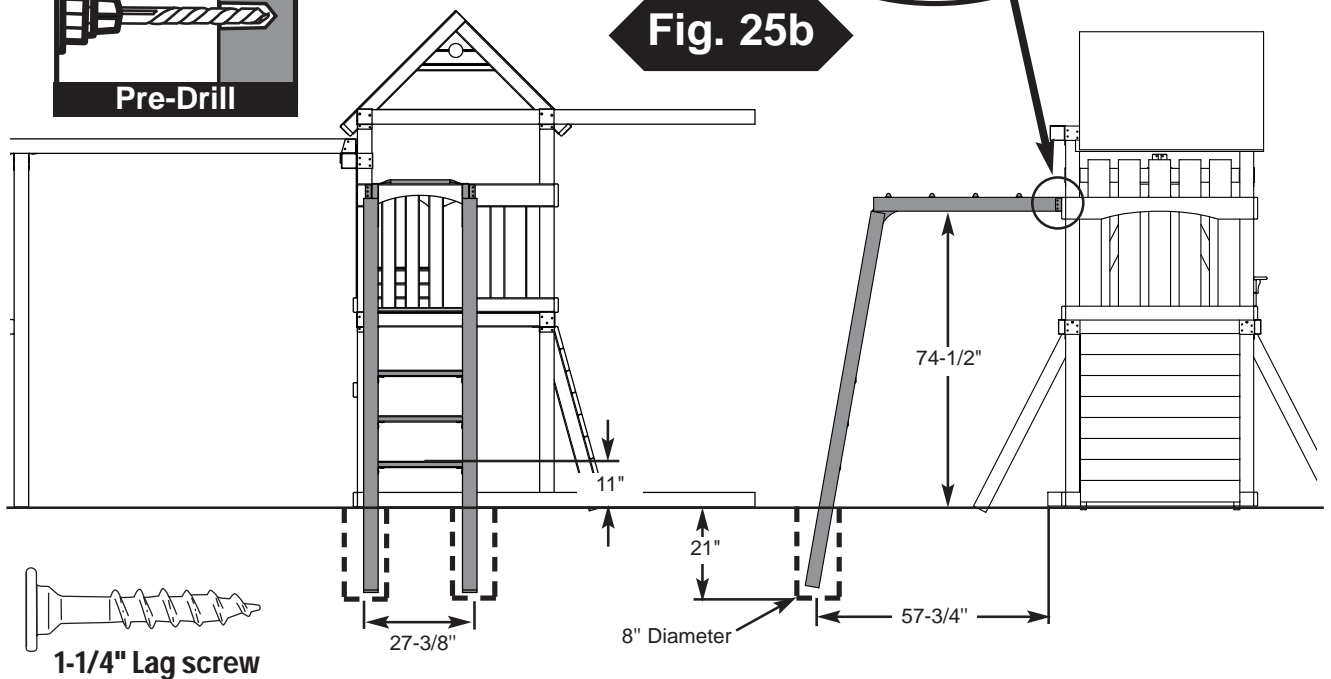


Fig. 25b



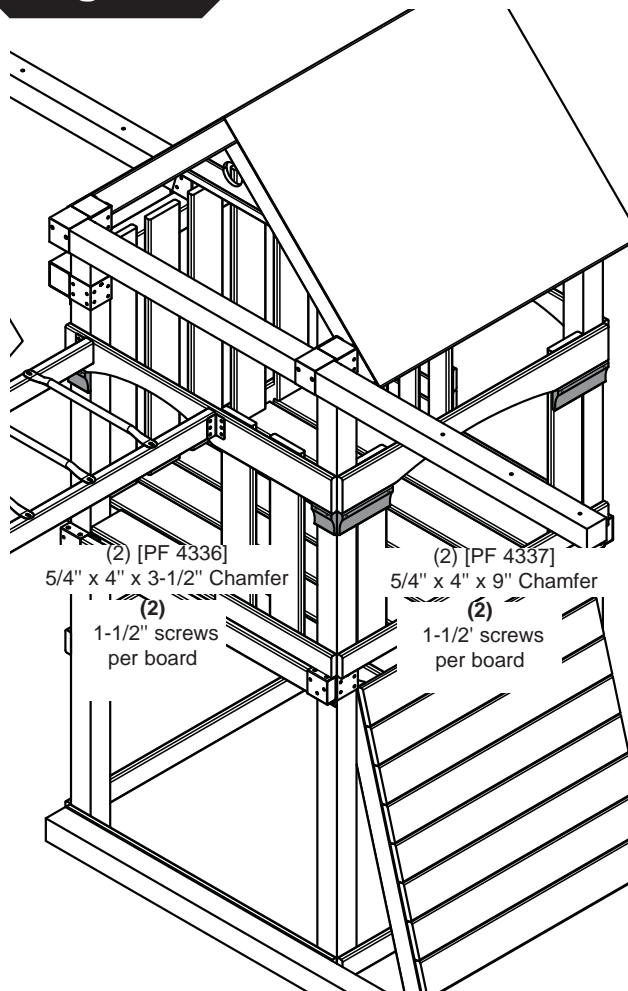
Monkey Bar Assembly Cont.

1. Attach the Monkey Bar Frame to the Monkey Bar Ladder as shown in **(Fig. 25)**.
2. Dig (2) 8" diameter holes, 21" deep, at the locations shown in **(Fig. 25b)**.
3. Attach the Monkey Bar Ladder to the unit as shown in **(Fig. 25a)** and **(Fig. 25b)**.

Pre-Drill Note: To prevent wood from splitting, pre-drill the (6) holes for the 1-1/4" Lag Screws. Use a 1/8" drill bit & drill to a maximum depth of 1-1/4".

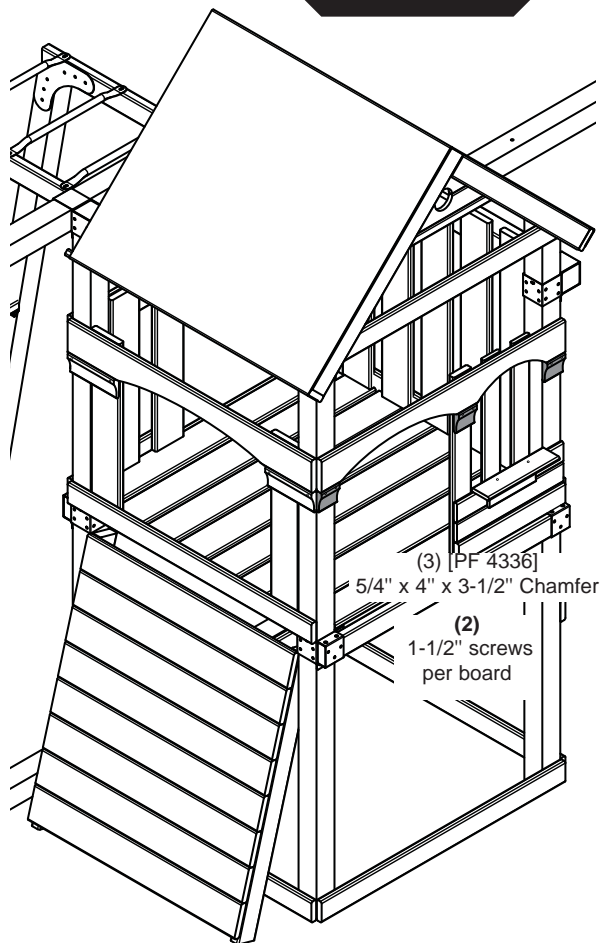
4. Level the assembly, fill in holes and compact earth around posts.

Fig. 26



BACK VIEW OF UNIT

Fig. 26a



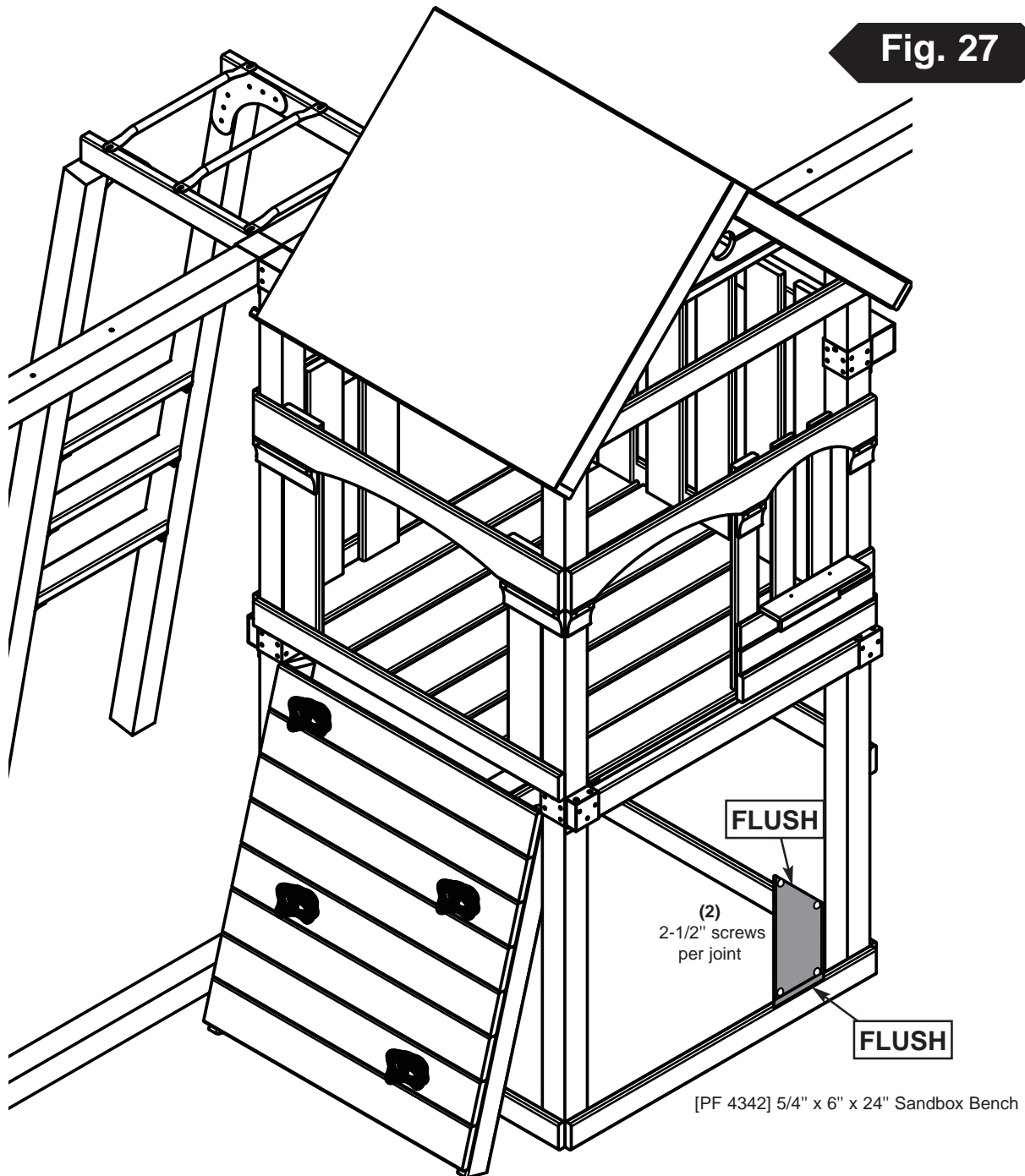
Decorative Chamfer Boards

1. Install (4) Chamfer boards as shown in **(Fig. 26)**.
2. Install (3) Chamfer Boards as shown in **(Fig. 26a)**.



1-1/2" screw

Fig. 27

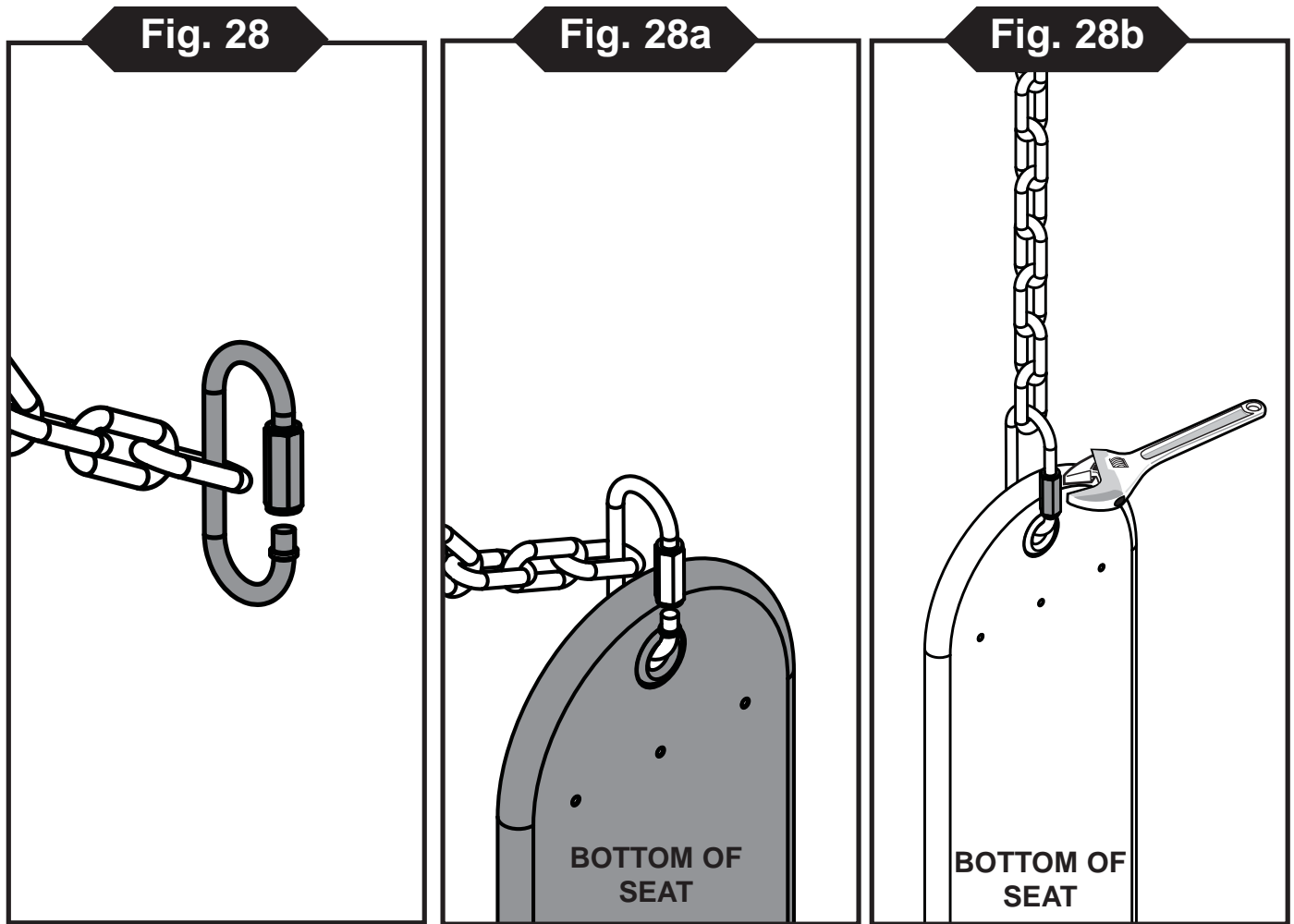


Install Sandbox Bench

1. Secure Sandbox Bench as shown in (Fig 27).



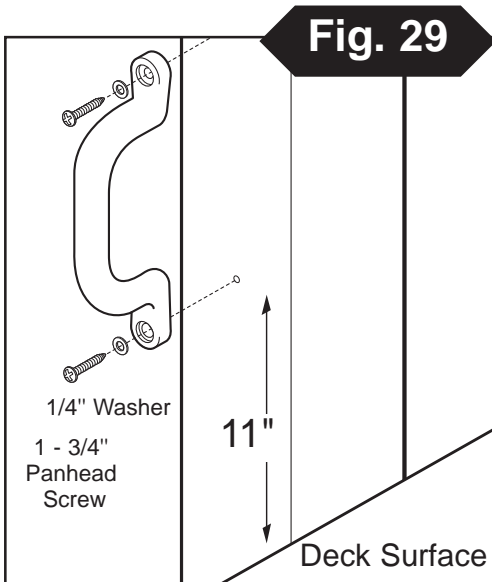
2-1/2" screw



Swing Seat Assembly.

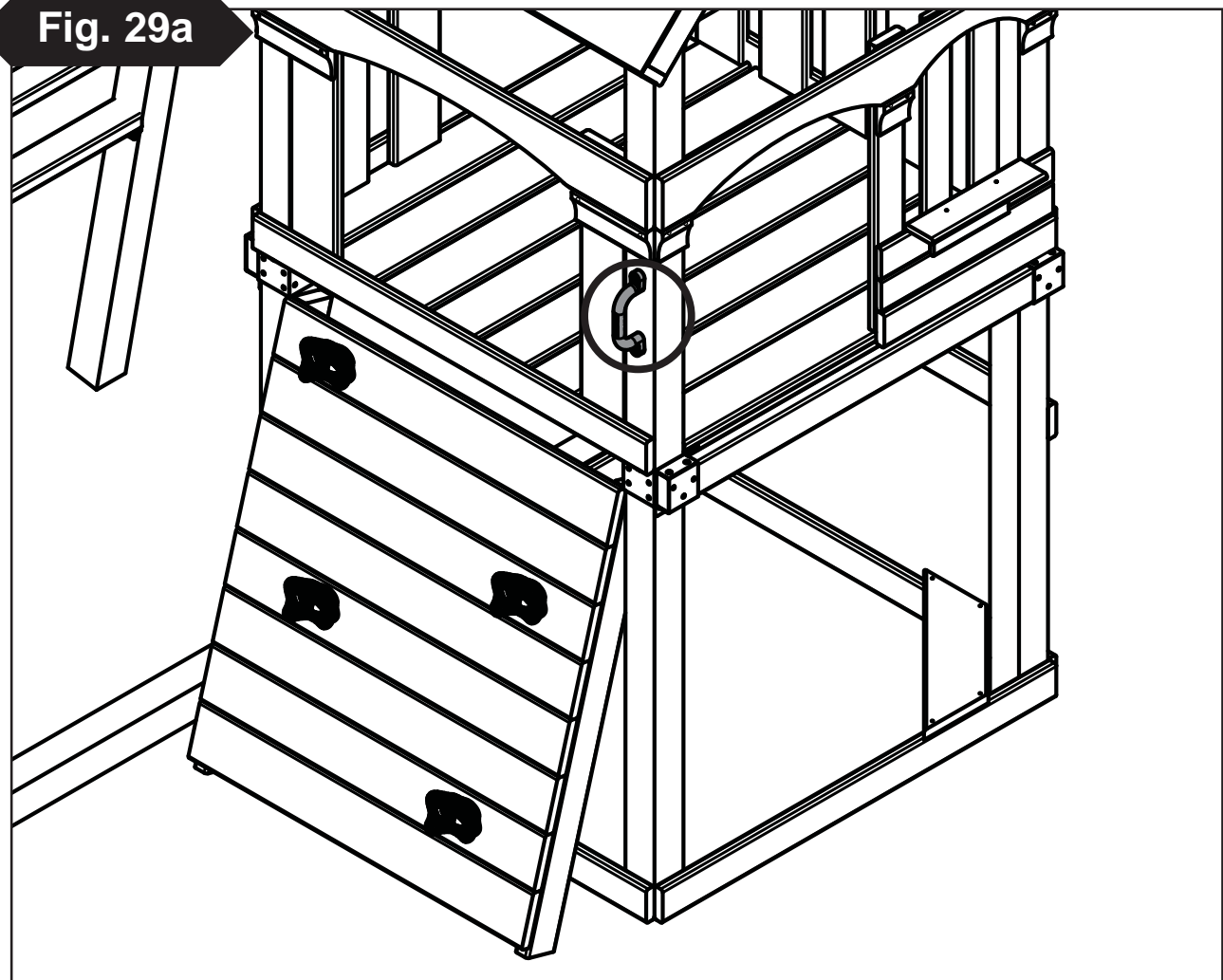
1. Take one length of chain and place the outermost link of chain through the Quick Link as shown in **(Fig. 28)**.
2. Place the Quick Link through the Grommet of the swing seat as shown in **(Fig. 28a)**.
3. Tighten the threaded sleeve of the Quick Link with a suitably sized wrench so that the seat is securely attached and the Quick Link cannot be easily loosened as shown in **(Fig. 28b)**. Repeat for second chain, Quick Link and Swing Seat Grommet.
4. Hang the chains from the Quick Links attached to the Extra Duty Hangers.

Safety Handle



Safety Handles.

1. Mount safety handle in the Rock Wall opening approximately 11" above the deck surface (**Fig. 29**).
2. Reference (**Fig. 29a**) for Safety Handle placement.

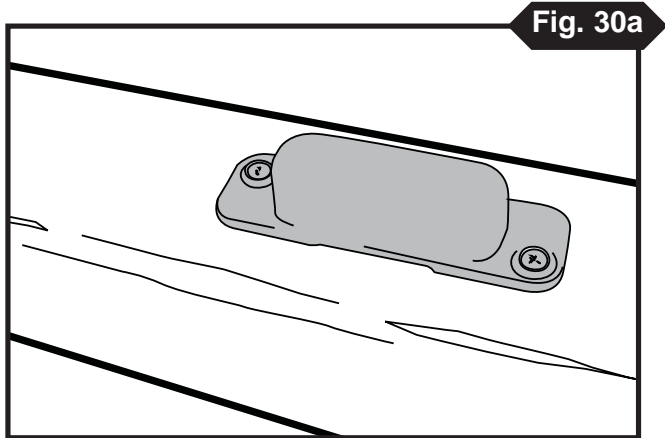
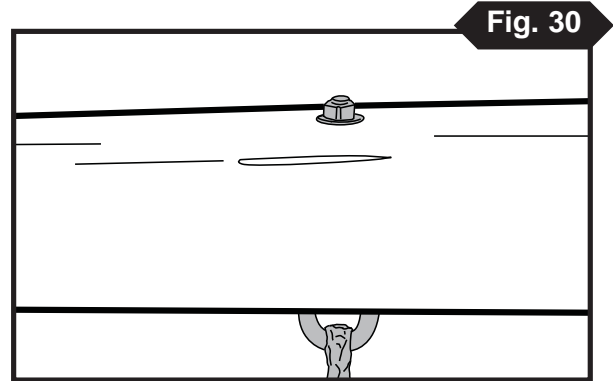


Pirate's Ladder

Pirates Ladder.

1. Bolt Pirates Ladder to top 4" x 4" support at 3 locations as shown using (3) 3/8" loc nuts and (3) 3/8" flat washers (**Fig. 30**).

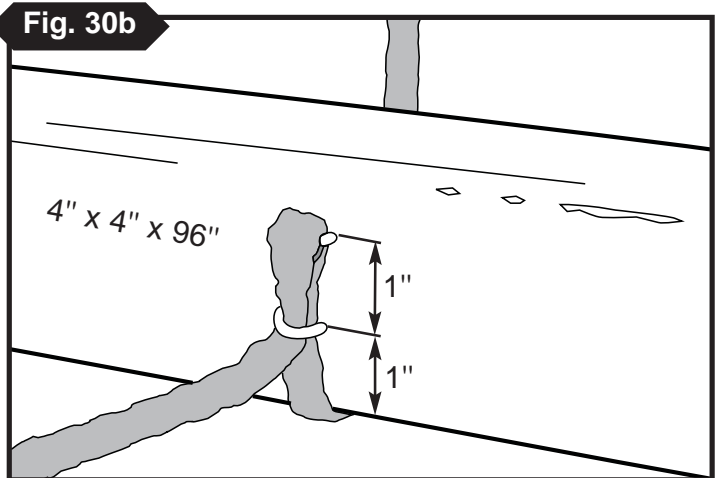
Note: Refer to (**Fig. 21**) for accessory arm placement.

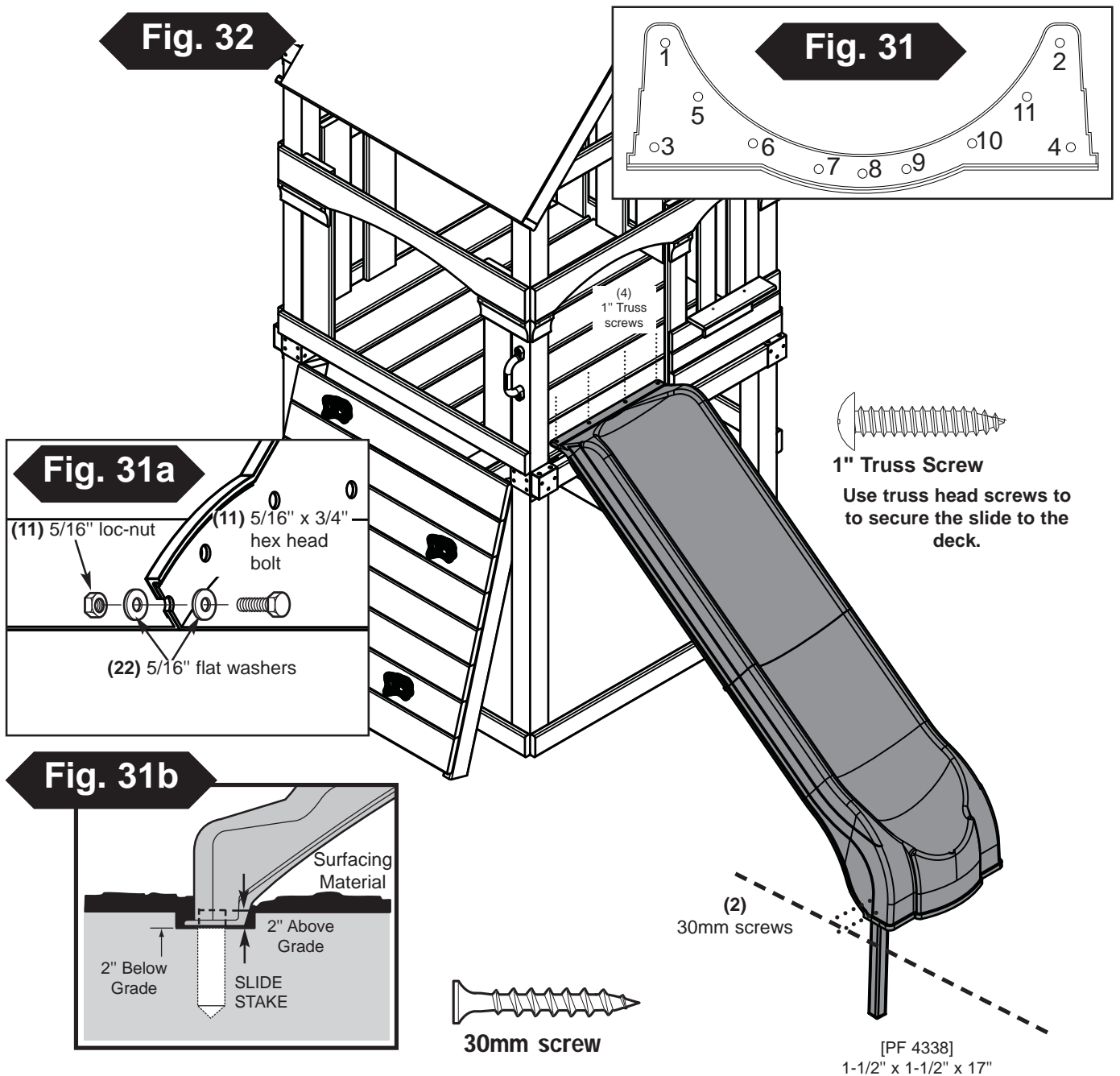


2. Attach bolt covers over loc nuts at all three locations using (2) 1-1/2" deck screws each, as shown in (**Fig. 30a**).

3. Using two rope staples to secure the bottom of each Pirate's Ladder rope. Tap two staples in place approximately 1" apart. Wrap the rope under the 4" x 4". Then thread the rope through both staples. Double the rope back on itself and through the first staple. Pull the rope tight and secure in place by pounding staples in place. See (**Fig. 30b**).

4. Repeat for remaining Pirate's Ladder rope ends.

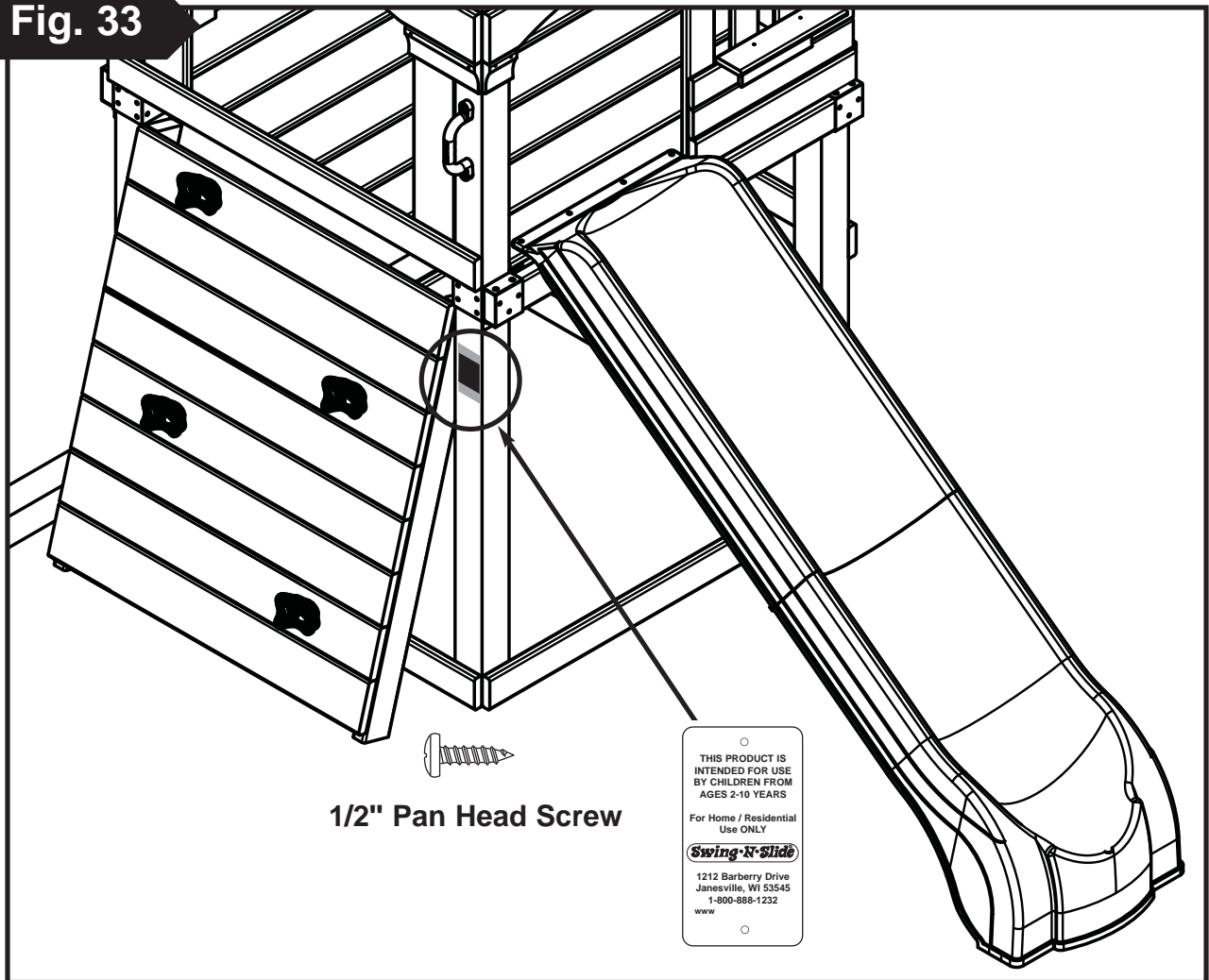




Summit Slide Installation.

1. Align Summit slide sections together on the ground. Begin attaching two Summit slide sections together by securing the two outer most bolts in place finger tight. See **(Fig. 31)** for proper Bolt Sequence. Following this pattern install (1) bolt, (2) washers and (1) loc-nut per hole as shown in **(Fig. 31a)**. Once all (11) bolts, (22) flat washers and (11) loc-nuts are in place go back and tighten all hardware with appropriate tools.
2. Consult **(Fig. 32)** For proper placement of Summit slide on your unit.
3. Prepare a level area of ground where the bottom of the slide rests 2" below grade **(Fig. 31b)**.
4. Mark where the slide's bottom meets the ground and drive a 1-1/2" x 1-1/2" x 17" stake until its top is 2" above the grade prepared in Step 3. For reference, see **(Fig. 31b)**.
5. Attach Summit slide to unit as shown in **(Fig. 32)**.

Fig. 33



ID Tag Installation.

1. Secure your product ID tag onto an easy to read location of any post using (2) 1/2" Pan Head Screws as shown in (Fig. 33).

Fig. 34

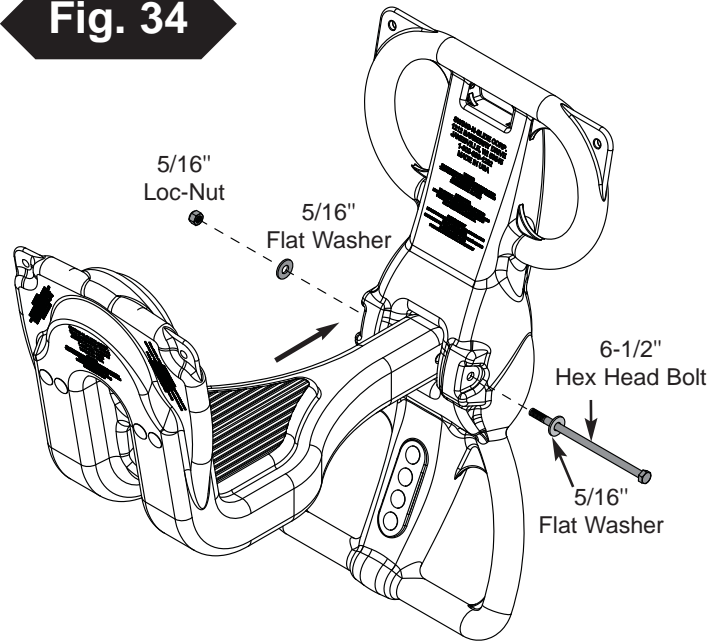


Fig. 34a

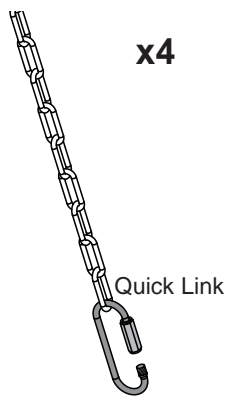


Fig. 34b

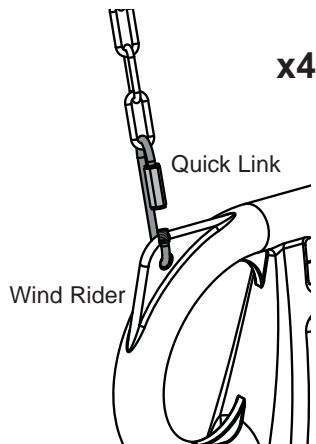


Fig. 34c

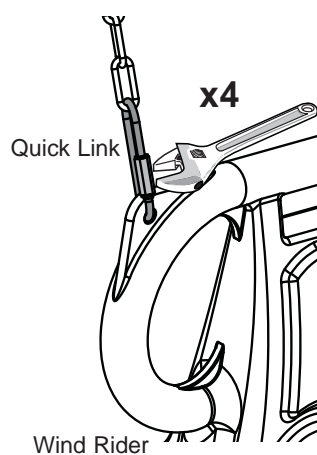
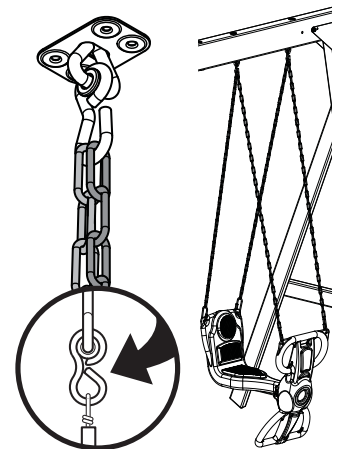


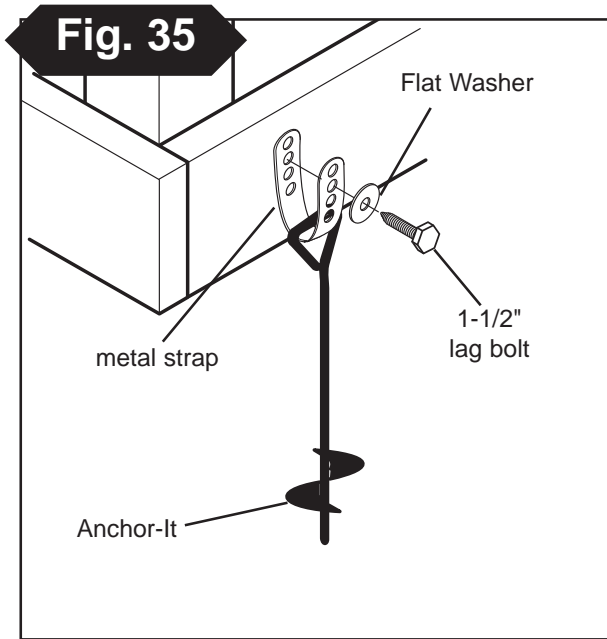
Fig. 34d



Wind Rider Assembly

1. Insert Seat into Handle as shown in **(Fig. 34)**. Secure in place with hardware shown.
Note: Make certain no more than two bolt threads protrude from the Loc-Nut once fully tightened.
2. Insert (1) Quick Link into the end of each length of 51" chain, as shown in **(Fig. 34a)**. Make certain the Quick Link is positioned as shown.
3. Using the Quick Link, attach each length of 51" chain to the (4) corners of your swing as shown in **(Fig. 34b)**. Make certain Quick Link is positioned as shown.
4. Close and tighten all four Quick Links with a suitable wrench, as shown in **(Fig. 34c)**.
5. Attach (2) 51" Chains per Swing Hanger as shown in **(Fig. 34d)**. Be certain to crimp Swing Hangers closed to secure swing chain in place and prevent possible injury.

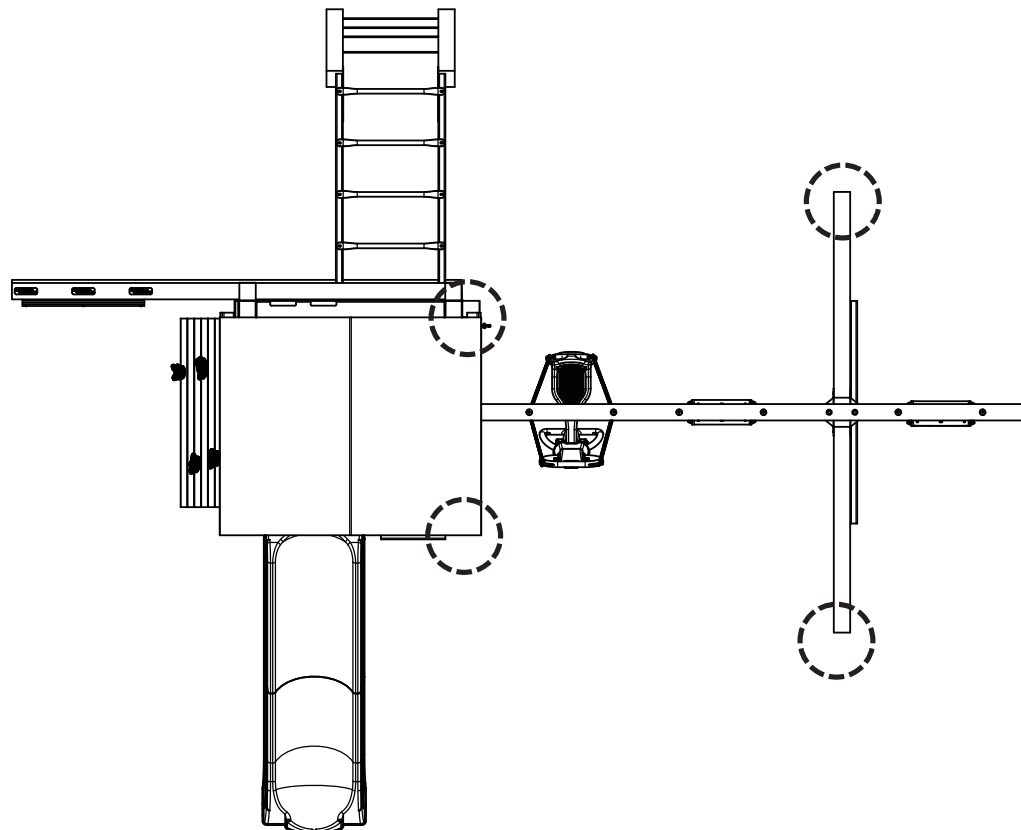
Anchor-It



Anchor-It Installation.

Instructions for Anchoring Swing•N•Slide Activity Centers

1. Determine the final location of your activity center.
2. Place the Anchor-It stakes adjacent to the base and near the corners of your activity center (at the bottom of the legs on swing sets) and twist the auger-style stakes into the ground until only the loop is exposed.
3. Place the metal strap through the loop of the Anchor-It stake and secure it to the unit with a lag screw and washer as illustrated to the right. Note: Attach the strap to the unit with as little play as possible using whatever holes in the strap that work best.





WE PUT *Kids* FIRST!

Questions???
Call our Customer Service Department
at 1-800-888-1232